



AML Series Linear Module

- ▶ Compact design
- ▶ Direct drive technology
- ▶ High precision optical encoder
- ▶ High response
- ▶ Stackable configuration

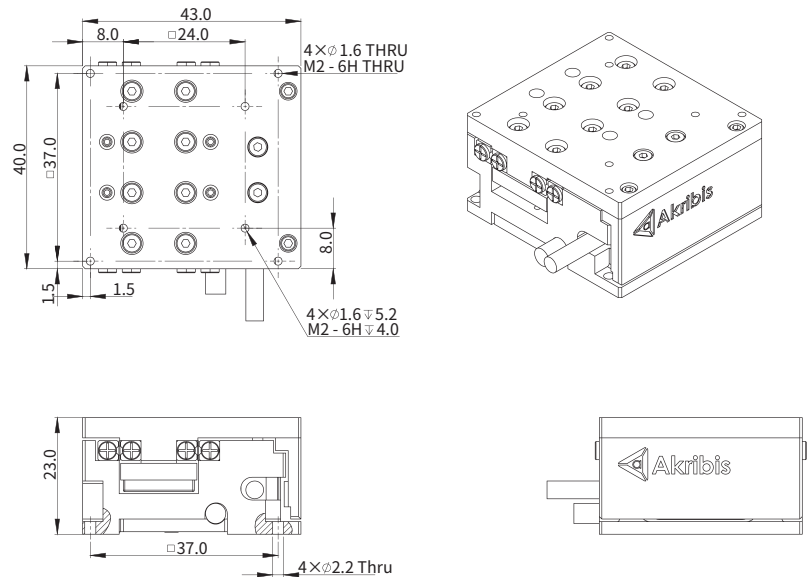
AML40-10

Specifications	Unit	Value
Stroke	mm	10
Continuous Force	N	2.3
Peak Force	N	6.9
Resolution	μm	ABI22: SINCOS
		ABI21: 0.5 / 0.2
		AT2: SINCOS
		AT2:0.2 / 0.05
Bidirectional Repeatability	μm	ABI22 SINCOS: ±0.4 (4096X)
		AB21 0.5 / 0.2 : ±1.0
		AT2 0.2 / 0.05 : ±0.5
		AT2 SINCOS: ±0.3 (4096X)
Straightness	μm	±1.5
Flatness	μm	±1.5
Rated Payload ^①	kg	0.4
Moving Mass ^②	kg	0.06
Total Mass ^②	kg	0.16
Max. Payload	kg	2.0
Max. Roll Moment Load	Nm	1.0
Max. Pitch Moment Load	Nm	1.6
Max. Yaw Moment Load	Nm	1.8

① The rated load is based on the load in which the acceleration of the mass is at least 1G.

② The moving mass and total mass do not include the rated payload.

Dimension Drawing



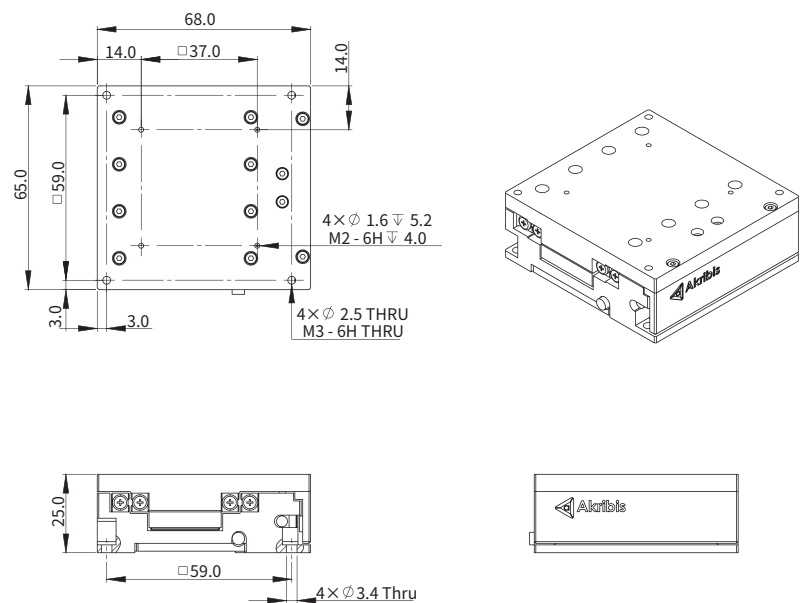
AML65-15

Specifications	Unit	Value
Stroke	mm	15
Continuous Force	N	5.9
Peak Force	N	17.7
Resolution	μm	ABI22: SINCOS
		ABI21: 0.5 / 0.2
		AT2: SINCOS
		AT2:0.2 / 0.05
Bidirectional Repeatability	μm	ABI22 SINCOS: ±0.4 (4096X)
		AB21 0.5 / 0.2 : ±1.0
		AT2 0.2 / 0.05 : ±0.5
		AT2 SINCOS: ±0.3 (4096X)
Straightness	μm	±1.5
Flatness	μm	±1.5
Rated Payload ^①	kg	1.1
Moving Mass ^②	kg	0.18
Total Mass ^②	kg	0.39
Max. Payload	kg	6.0
Max. Roll Moment Load	Nm	5.4
Max. Pitch Moment Load	Nm	7.0
Max. Yaw Moment Load	Nm	8.4

① The rated load is based on the load in which the acceleration of the mass is at least 1G.

② The moving mass and total mass do not include the rated payload.

Dimension Drawing

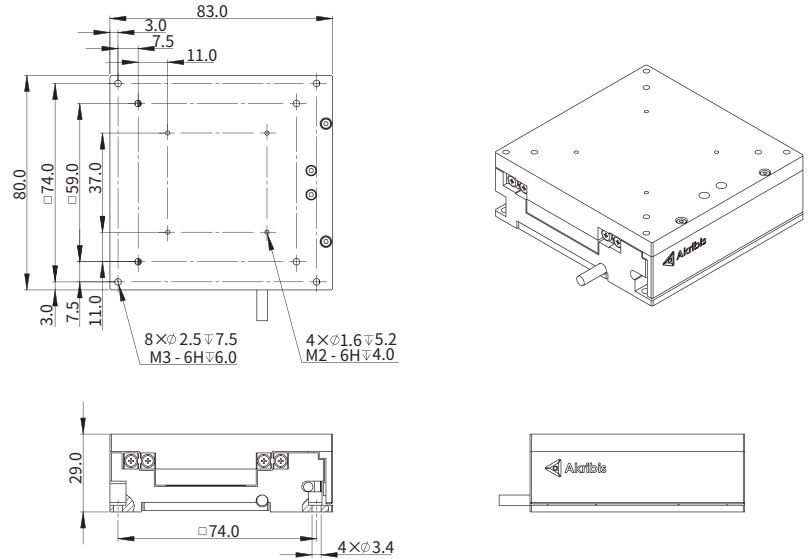


AML80-20

Specifications	Unit	Value
Stroke	mm	20
Continuous Force	N	9.6
Peak Force	N	28.8
Resolution	μm	ABI22: SINCOS
		ABI21: 0.5 / 0.2
		AT2: SINCOS
		AT2:0.2 / 0.05
Bidirectional Repeatability	μm	ABI22 SINCOS: ±0.4 (4096X)
		AB21 0.5 / 0.2 : ±1.0
		AT2 0.2 / 0.05 : ±0.5
		AT2 SINCOS: ±0.3 (4096X)
Straightness	μm	±1.8
Flatness	μm	±1.8
Rated Payload ^①	kg	1.3
Moving Mass ^②	kg	0.32
Total Mass ^②	kg	0.61
Max. Payload	kg	8.5
Max. Roll Moment Load	Nm	9.0
Max. Pitch Moment Load	Nm	9.7
Max. Yaw Moment Load	Nm	11.7

- ① The rated load is based on the load in which the acceleration of the mass is at least 1G.
- ② The moving mass and total mass do not include the rated payload.

Dimension Drawing



Ordering Part Numbering

AML1 T E0A 1 A 1 A

Model:

AML1:AML40-10
AML2:AML65-15
AML3:AML80-20

Cover Type:

T:Black Anodized

Encoder Type:

E0A:ABI-22 (SINCOS)
E0F:ABI-21 (0.5um)
E0G:ABI-21 (0.2um)
ECA:ATOM2 (SINCOS)
ECG:ATOM2 (0.2um)
ECJ:ATOM2 (0.05um)

- ① For motor, encoder's is DB connector.
- ② ABI-21 uses steel tape scale only.
- ③ ATOM2 uses glass scale only.

Guide Option:

A:Anti-creep cross roller
B:Non anti-creep cross roller

Termination:

1:Flying Lead^①

Cable Length(m):

A:0.5 / B:3.0

Scale Type:

1:Steel tape,11ppm/K^②
2:Glass G8 Soda Lime,8ppm/K^③