



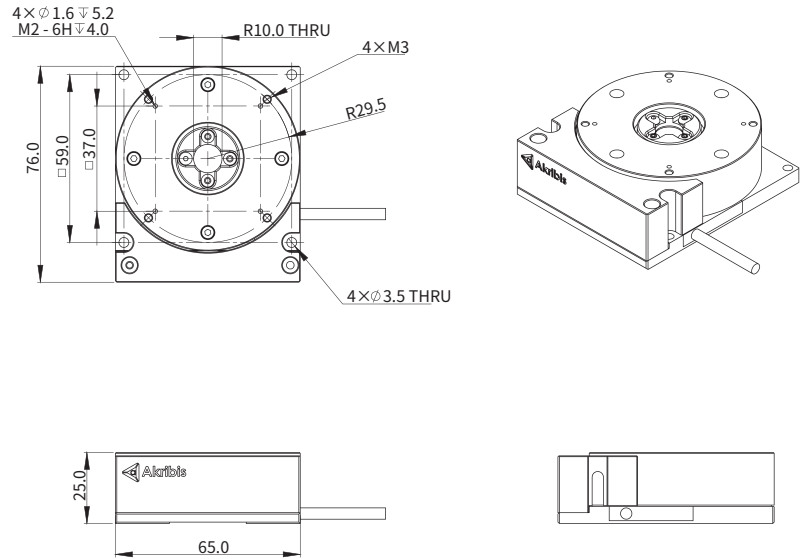
# AMR Series Rotary Module

- ▶ Compact design
- ▶ Direct drive technology
- ▶ Cogging free
- ▶ High precision optical encoder
- ▶ Stackable configuration

## AMR65D

Specifications	Unit	Value
Stroke	degree	50
Continuous Torque	Nm	0.13
Peak Torque	Nm	0.51
Resolution	lines/rev	ABI22 (SINCOS): 2568
		AT2 (SINCOS): 10272
Bidirectional Repeatability	arc sec	ABI22 SINCOS: $\pm 0.5$ (4096X)
		AT2 SINCOS: $\pm 0.5$ (4096X)
Max. Speed	degree/s	720
Axial Runout	$\mu\text{m}$	5
Radial Runout	$\mu\text{m}$	10
Rotor Inertia	$\text{kg.m}^2$	0.00014
Total Mass	kg	0.52
Max. Axial Load	N	30
Max. Moment Load	Nm	0.84

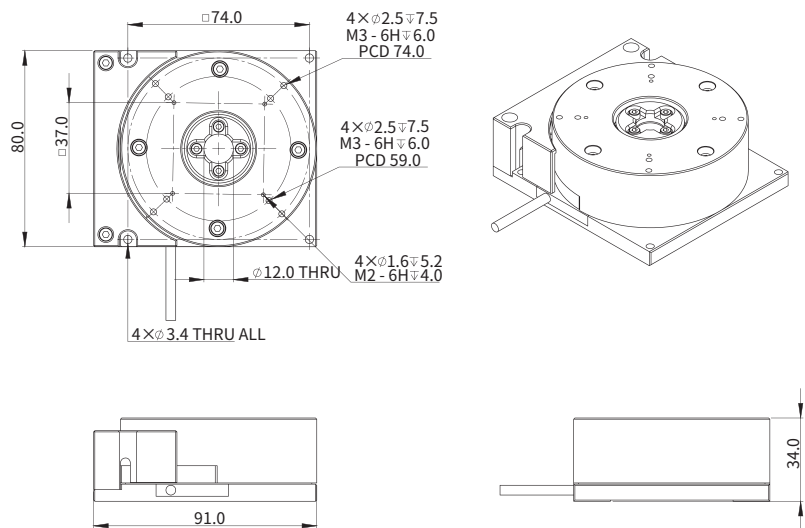
### Dimension Drawing



## AMR80D

Specifications	Unit	Value
Stroke	degree	100
Continuous Torque	Nm	0.2
Peak Torque	Nm	0.79
Resolution	lines/rev	ABI22 (SINCOS): 3142
		AT2 (SINCOS): 12568
Bidirectional Repeatability	arc sec	ABI22 SINCOS: $\pm 0.5$ (4096X)
		AT2 SINCOS: $\pm 0.5$ (4096X)
Max. Speed	degree/s	720
Axial Runout	$\mu\text{m}$	5
Radial Runout	$\mu\text{m}$	10
Rotor Inertia	$\text{kg.m}^2$	0.00016
Total Mass	kg	1.1
Max. Axial Load	N	60
Max. Moment Load	Nm	2.0

### Dimension Drawing



## Ordering Part Numbering

