



AMS Series Linear Module

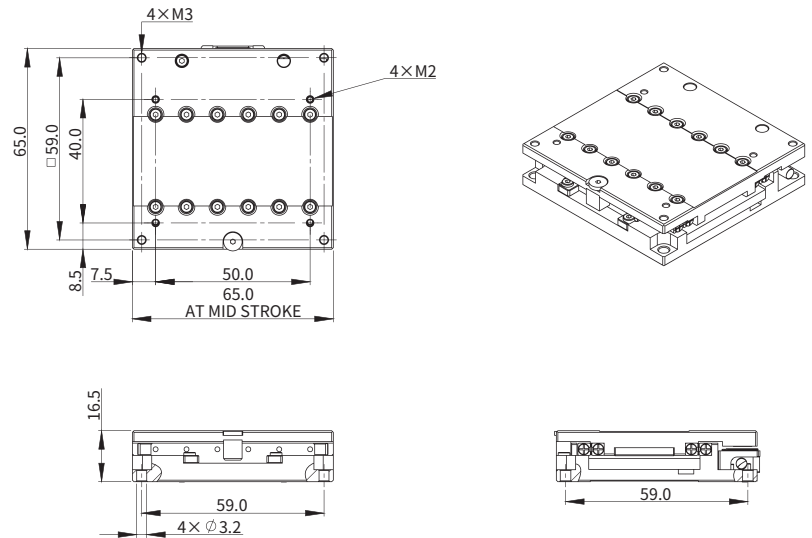
- ▶ Low profile
- ▶ Direct drive technology
- ▶ High response
- ▶ High precision optical encoder
- ▶ Stackable configuration

AMS65X

Specifications	Unit	Value
Stroke	mm	15
Continuous Force	N	4.6
Peak Force	N	8.4
Resolution	μm	ABI22: SINCOS
		ABI21: 0.5 / 0.2
		AT2: SINCOS
		AT2: 0.2 / 0.05
Bidirectional Repeatability	μm	ABI22 SINCOS: ±0.4 (4096X)
		AB21 0.5 / 0.2 : ±1.0
		AT2 0.2 / 0.05 : ±0.5
		AT2 SINCOS: ±0.3 (4096X)
Straightness	μm	±1.5
Flatness	μm	±1.5
Rated Payload ^①	kg	0.3
Moving Mass ^②	kg	0.18
Total Mass ^②	kg	0.42
Max. Payload	kg	6.0
Max. Roll Moment Load	Nm	1.6
Max. Pitch Moment Load	Nm	2.0
Max. Yaw Moment Load	Nm	2.4

- ① The rated load is based on the load in which the acceleration of the mass is at least 1G.
- ② The moving mass and total mass do not include the rated payload.

Dimension Drawing



Ordering Part Numbering

AMS1 E E0A 1 A 1 A

Model:

AMS1:AMS65X-15

Cover Type:

E:EN

Encoder Type:

E0A:ABI-22 (SINCOS)
 E0F:ABI-21 (0.5um)
 E0G:ABI-21 (0.2um)
 ECA:ATOM2 (SINCOS)
 ECG:ATOM2 (0.2um)
 ECJ:ATOM2 (0.05um)

- ① For motor, encoder's is DB connector.
- ② ABI-21 uses steel tape scale only.
- ③ ATOM2 uses glass scale only.

Guide Option:

A:Anti-creep cross roller
 B:Non anti-creep cross roller

Termination:

1:Flying Lead^①

Cable Length(m):

A:0.5 / B:3.0

Scale Type:

1:Steel tape, 11ppm/K^②
 2:Glass G8 Soda Lime, 8ppm/K^③