



AMZ Series Vertical Z Module

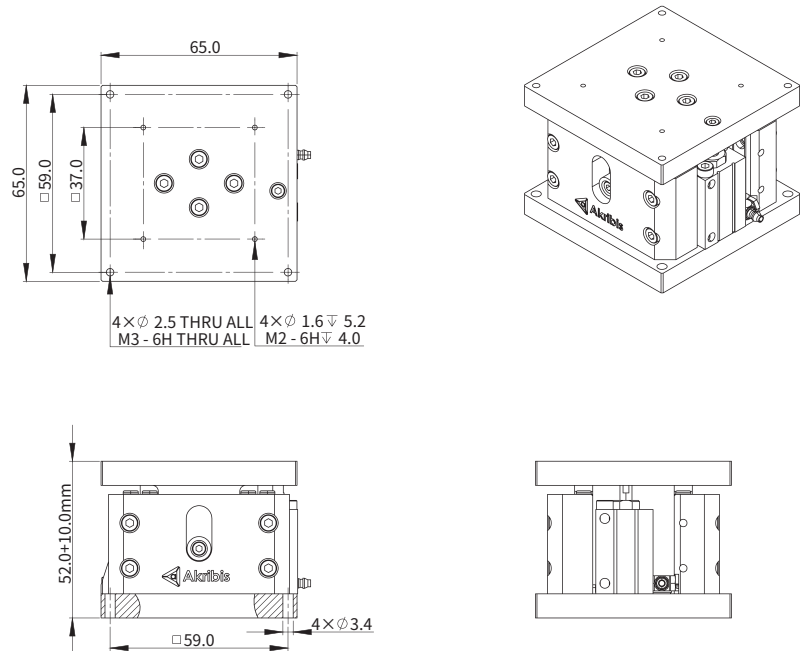
- ▶ Compact design
- ▶ Direct drive technology
- ▶ High response
- ▶ High precision optical encoder
- ▶ Stackable configuration

AMZ65

Specifications	Unit	Value
Stroke	mm	8
Continuous Force	N	7.35
Peak Force	N	29.4
Resolution	μm	ABI22: SINCOS
		ABI21: 0.5 / 0.2
		AT2: SINCOS
		AT2:0.2 / 0.05
Bidirectional Repeatability	μm	ABI22 SINCOS: ±0.2 (4096X)
		AB21 0.5 / 0.2 : ±1.0
		AT2 0.2 / 0.05 : ±0.5
		AT2 SINCOS: ±0.1 (4096X)
Straightness	μm	±1.5
Flatness	μm	±1.5
Rated Payload ¹	kg	0.5
Moving Mass ²	kg	0.26
Total Mass ²	kg	0.60
Max. Payload	kg	7.0
Max. Roll Moment Load	Nm	7.4
Max. Pitch Moment Load	Nm	4.0
Max. Yaw Moment Load	Nm	4.8

- ¹ The rated load is based on the load in which the acceleration of the mass is at least 1G
- ² The moving mass and total mass do not include the rated payload.

Dimension Drawing



Ordering Part Numbering

AMZ1 T EOA 1 A 1

Model:

AMZ1:AMZ65-8

Cover Type:

T:Black Anodized

Encoder Type:

E0A:ABI-22 (SINCOS)
 E0F:ABI-21 (0.5um)
 E0G:ABI-21 (0.2um)
 ECA:ATOM2 (SINCOS)
 ECG:ATOM2 (0.2um)
 ECJ:ATOM2 (0.05um)

- ¹ For motor, encoder's is DB connector.
- ² ABI-21 uses steel tape scale only.
- ³ ATOM2 uses glass scale only.

Termination:
 1:Flying Lead¹

Cable Length(m):
 A:0.5 / B:3.0

Scale Type:
 1:Steel tape,11ppm/K²
 2:Glass G8 Soda Lime,8ppm/K³