

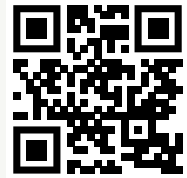
# FB-M12-34-35-00000

## FRONT BRAKES

M12  
CONNECTOR

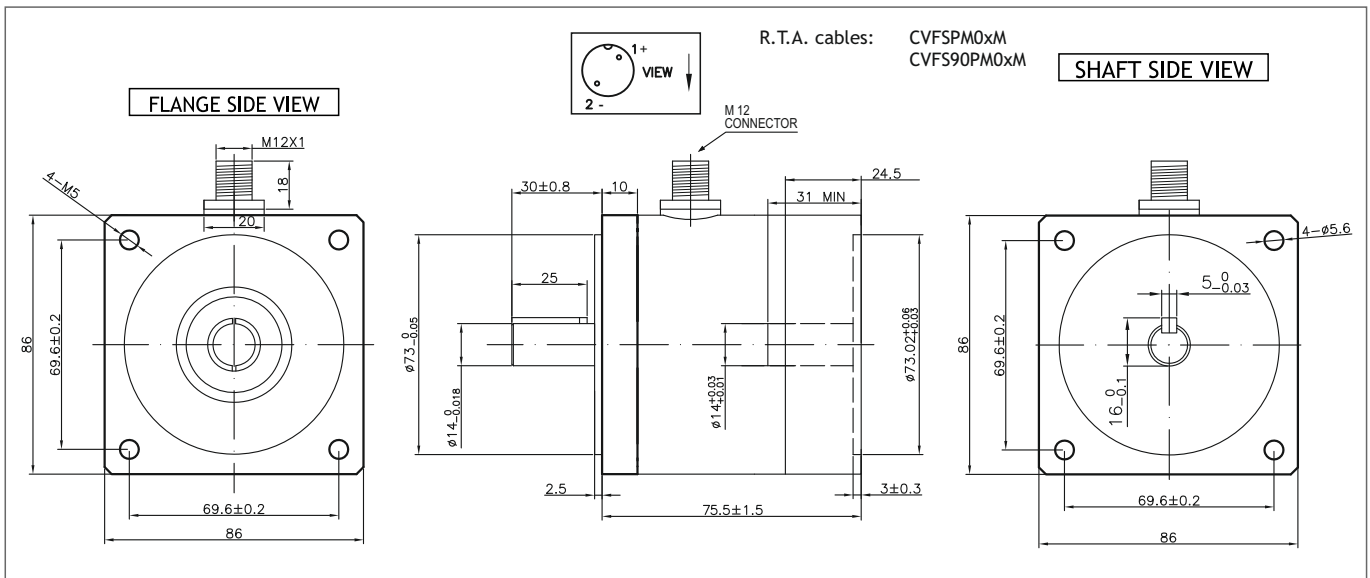
24 VDC

NEMA 34



SCAN THE QR CODE  
TO WATCH A VIDEO  
ON FB SERIES  
FRONT BRAKES

## Dimensions (Units:mm)



MODEL	Static torque (Nm)	Current (mA)	Voltage (V)	Power (W)	Mass (Kg)
FB-M12-34-35-00000	3.5	460	24 VDC	11.0	1.61

## Suggested motors and cables

	<p>NEMA 34 motors</p>	<p>R.T.A. cables</p> <p>Shield Red + Yellow -</p> <p>CVFSPM0xM x=1m/3m</p>
		<p>CVFS90PM0xM x=1m/3m</p>
<p>MOUNTING OPERATION MODE: ■ Tightening torque M= 8 Nm ■ Locking bolt M5 ■ R.T.A. Quality Control</p>		



Use for safety related functions is forbidden (EN 60204-1). Moreover, when the application arrangement is in such way that a brake fault or failure could generate a risk for property or human life, external independent safety protection system must be provided in the machine.



R.T.A. s.r.l.  
Via E. Mattei - Fraz- Divisa  
27020 Marcignago (PV) (Italy)  
T +39.0382.929.855  
F +39.0382.929.150  
www.rta.it

R.T.A. Deutschland GmbH  
Bublitzer Strasse 34, 40599  
Duesseldorf (Germany)  
T +49.211.749.668.60  
F +49.211.749.668.66  
www.rta-deutschland.de

R.T.A. IBERICA  
C/Generalitat 22, Local 1  
08850 Gava - Barcelona (Spain)  
T +34 936.388.805  
F +34 936.334.595  
www.rta-iberica.es

R.T.A. INDIA Pvt  
Teerth Business Center 3<sup>rd</sup> Floor, Unit No. 7,  
Block EL-15, MIDC Bhosari Pimpri-Chinchwad,  
Pune 411026 (India)  
Tel. +91 9422507445  
www.rta-india.in