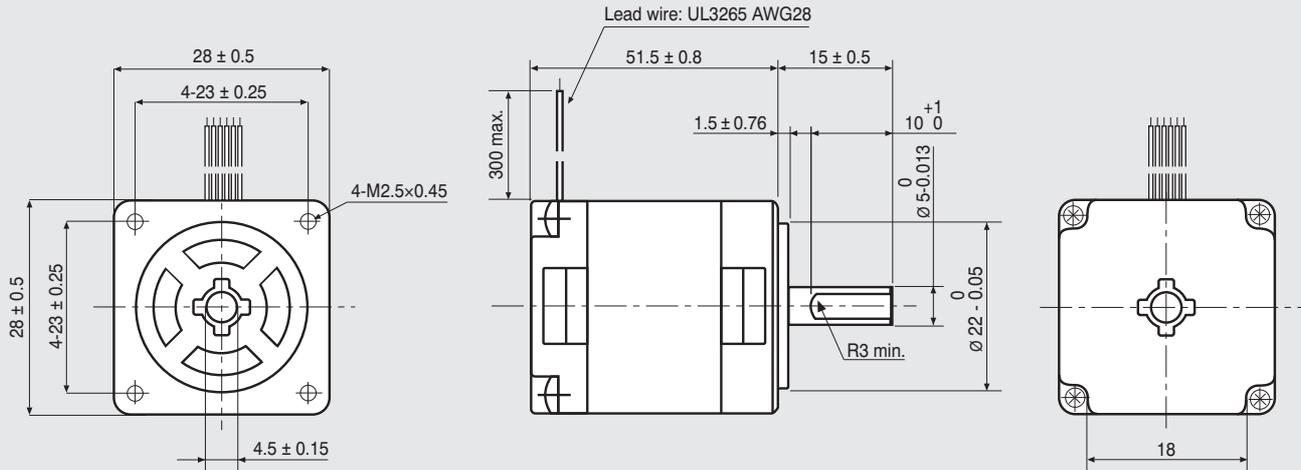


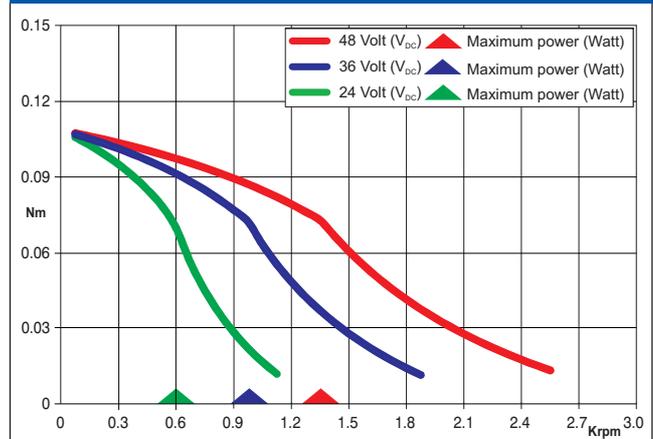
## Dimensions (Unit:mm)



## FEATURES

MODEL	SH2285-5271	
BASIC STEP ANGLE	1.8° ± 0.09°	
BIPOLAR CURRENT	(Amp)	0.7 <sup>(*)</sup>
UNIPOLAR CURRENT	(Amp)	1.0
RESISTANCE	(Ohm)	4.1
INDUCTANCE	(mH)	1.9
BIPOLAR HOLDING TORQUE	(Ncm)	14.5
UNIPOLAR HOLDING TORQUE	(Ncm)	11.5
ROTOR INERTIA	(Kg·m <sup>2</sup> × 10 <sup>-7</sup> )	22
THEORETICAL ACCELERATION	(rad × sec. <sup>-2</sup> )	66000
BACK E.M.F.	(V/Krpm)	15
MASS	(Kg)	0.2
LEADS CODE	IV	

## TORQUE/SPEED CURVE



<sup>(\*)</sup> Bipolar series connection.  
<sup>(\*)</sup> Collegamento bipolare serie.

R.T.A. - s.r.l. PAVIA (ITALY) SANYO DENKI CO., Ltd (JAPAN)



EMC - 10-14

Suggested R.T.A. driver: BSD Series, CSD/A-CSD Series, NDC/A-NDC Series, HGD Series.