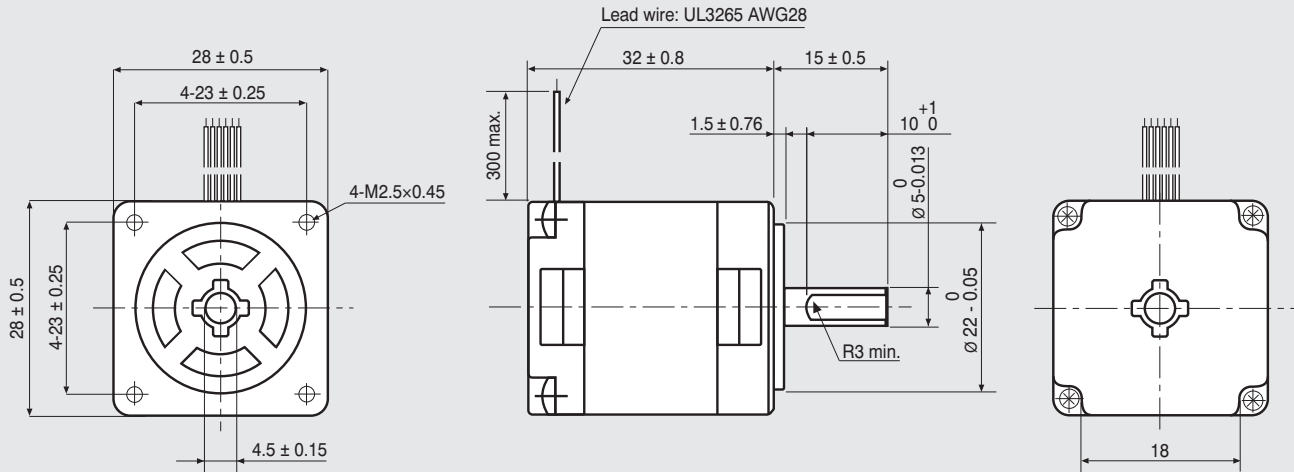


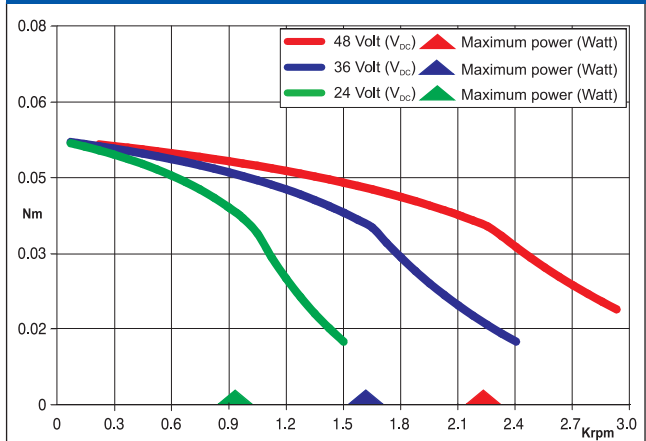
Dimensions (Unit:mm)



FEATURES

MODEL	SH2281-5271	
BASIC STEP ANGLE	1.8° ± 0.09°	
BIPOLAR CURRENT	(Amp)	0.7 ^(*)
UNIPOLAR CURRENT	(Amp)	1.0
RESISTANCE	(Ohm)	2.85
INDUCTANCE	(mH)	1.0
BIPOLAR HOLDING TORQUE	(Ncm)	7
UNIPOLAR HOLDING TORQUE	(Ncm)	5.5
ROTOR INERTIA	(Kgm ² x 10 ⁻⁷)	10
THEORETICAL ACCELERATION	(rad x sec. ⁻²)	70000
BACK E.M.F.	(V/Krpm)	15
MASS	(Kg)	0.11
LEADS CODE	IV	

TORQUE/SPEED CURVE



^(*) Bipolar series connection.
^(*) Collegamento bipolare serie.

R.T.A. s.r.l. PAVIA (ITALY) SANYO DENKI CO., Ltd (JAPAN)



EIMC - 10 - 14

Suggested R.T.A. driver: BSD Series, CSD/A-CSD Series, NDC/A-NDC Series, HGD Series.