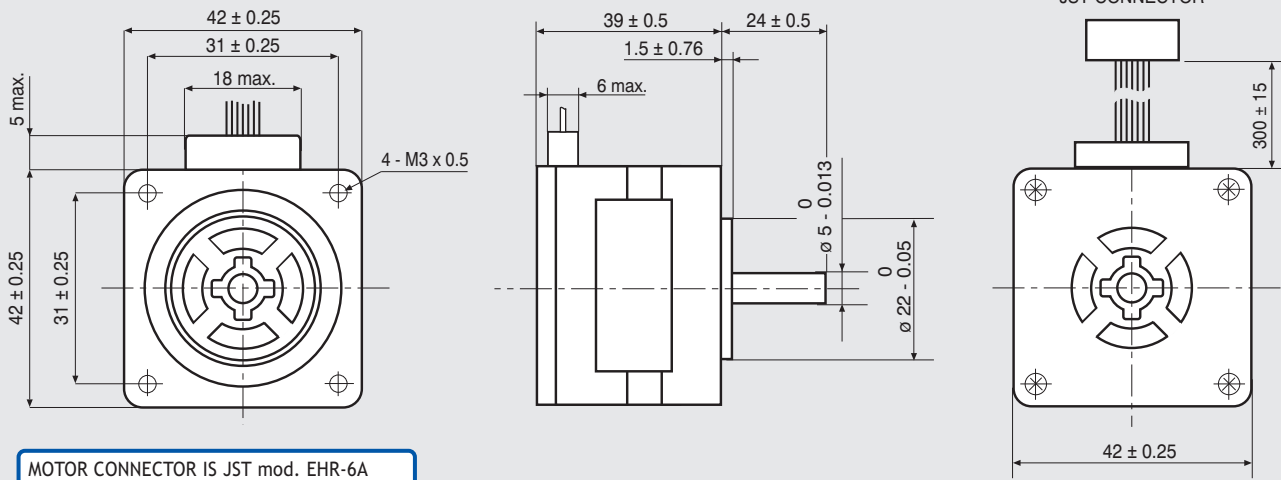


Dimensions (Unit:mm)

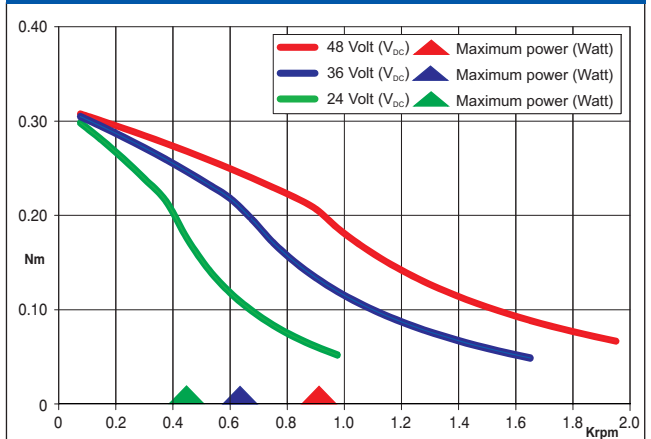


MOTOR CONNECTOR IS JST mod. EHR-6A
6 POLES FEMALE.
FOR CONNECTION USE JST
mod. B6B-EH-A MALE CONNECTOR.

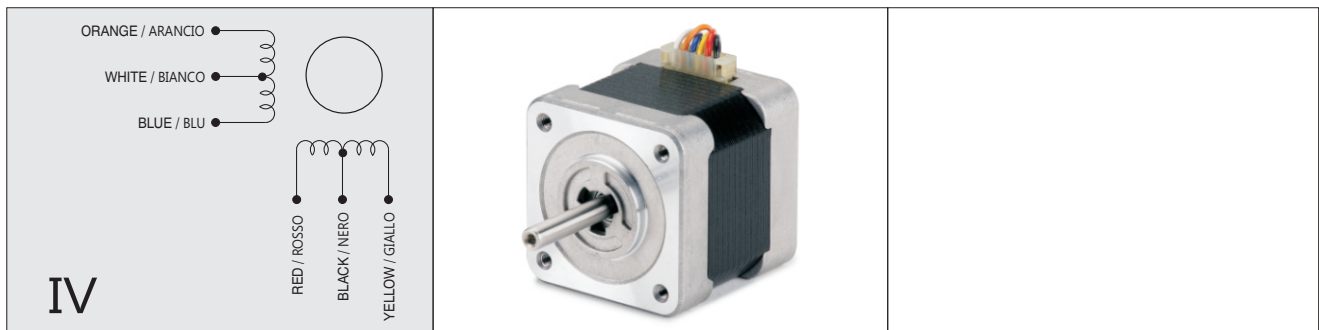
FEATURES

MODEL	103-H5208-0483	
BASIC STEP ANGLE	$1.8^\circ \pm 0.09^\circ$	
BIPOLAR CURRENT	(Amp)	0.9 ^(*)
UNIPOLAR CURRENT	(Amp)	1.2
RESISTANCE	(Ohm)	2.9
INDUCTANCE	(mH)	3.4
BIPOLAR HOLDING TORQUE	(Ncm)	42
UNIPOLAR HOLDING TORQUE	(Ncm)	30
ROTOR INERTIA	(Kg $\text{m}^2 \times 10^{-7}$)	56
THEORETICAL ACCELERATION	(rad x sec. $^{-2}$)	71000
BACK E.M.F.	(V/Krpm)	19
MASS	(Kg)	0.27
LEADS CODE	IV	

TORQUE/SPEED CURVE



^(*) Bipolar series connection.
^(*) Collegamento bipolare serie.



IV

Suggested R.T.A. driver: BSD Series, CSD/A-CSD Series, NDC/A-NDC Series, HGD Series.