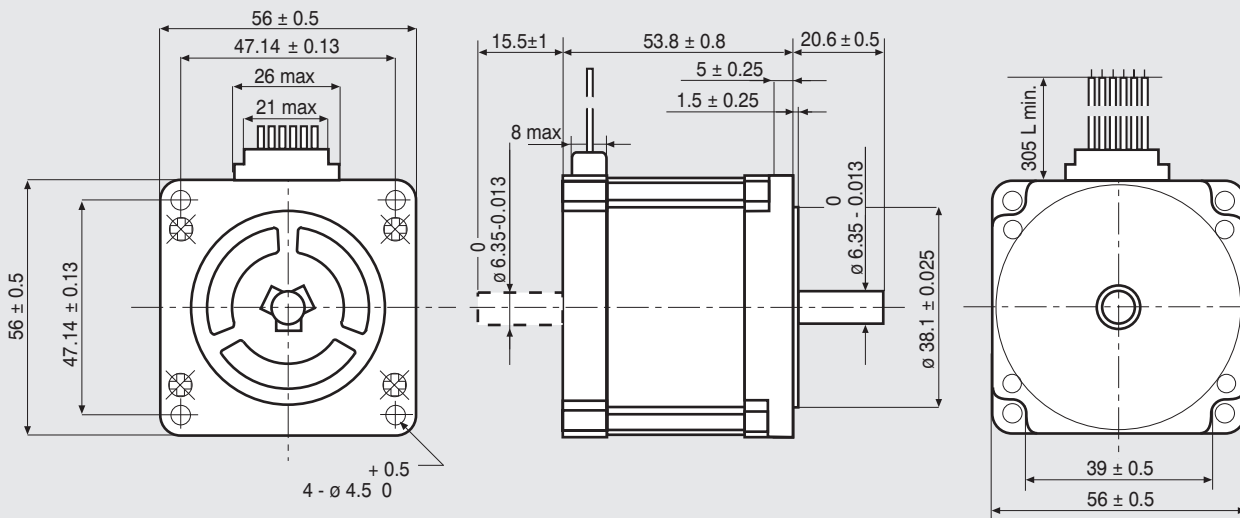


Dimensions (Unit:mm)

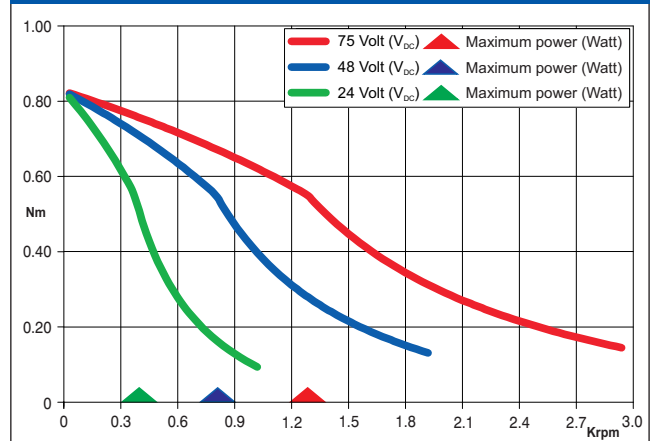


FEATURES

MODEL	103-H7123-0740 (103-H7123-0710)	
BASIC STEP ANGLE	$1.8^\circ \pm 0.09^\circ$	
BIPOLAR CURRENT	(Amp)	2.2 ^(*)
UNIPOLAR CURRENT	(Amp)	3.0
RESISTANCE	(Ohm)	0.77
INDUCTANCE	(mH)	1.6
BIPOLAR HOLDING TORQUE	(Ncm)	110
UNIPOLAR HOLDING TORQUE	(Ncm)	85
ROTOR INERTIA	(Kg $m^2 \times 10^{-7}$)	210
THEORETICAL ACCELERATION	(rad x sec. $^{-2}$)	50000
BACK E.M.F.	(V/Krpm)	20
MASS	(Kg)	0.65
LEADS CODE	IV	

Codes between brackets refer to double shaft models.
Le sigle fra parentesi si riferiscono ai modelli bialbero.

TORQUE/SPEED CURVE



^(*)Bipolar series connection.
^(*)Collegamento bipolare serie.

R.T.A. s.r.l. PAVIA (ITALY) SANYO DENKI CO., Ltd (JAPAN)



IV

EMC - 10-14

Suggested R.T.A. driver: BSD Series, CSD/A-CSD Series, NDC/A-NDC Series, ADW Series, HGD Series.

