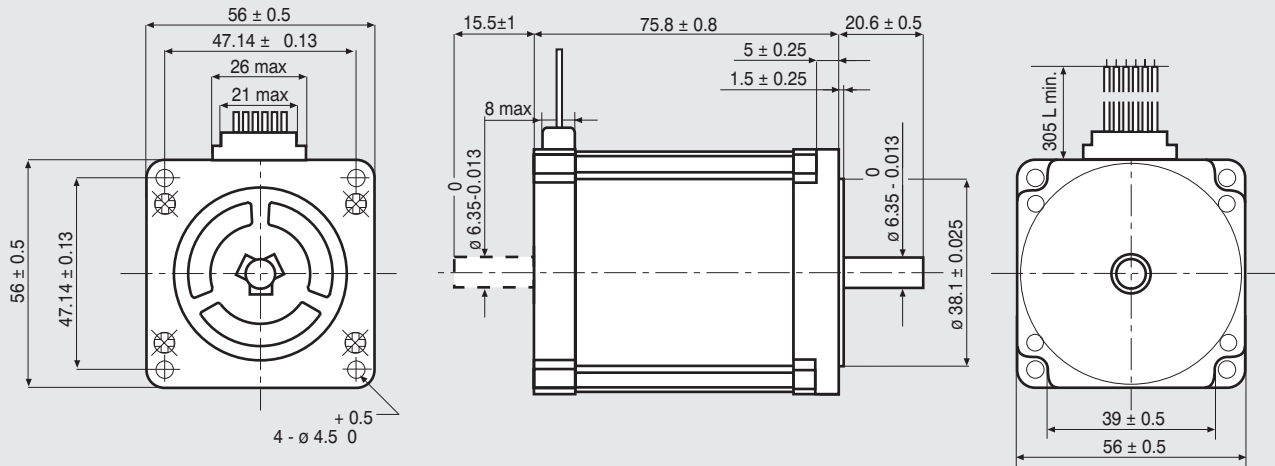


## Dimensions (Unit:mm)

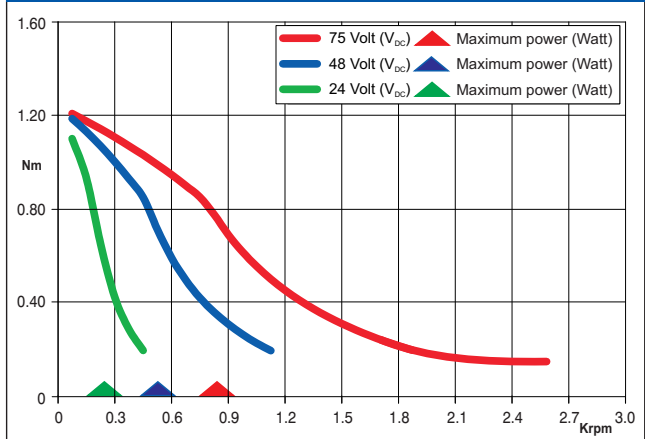


## FEATURES

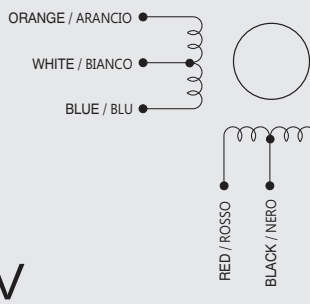
| MODEL                    | 103-H7126-0740<br>(103-H7126-0710) |                    |
|--------------------------|------------------------------------|--------------------|
| BASIC STEP ANGLE         | $1.8^\circ \pm 0.09^\circ$         |                    |
| BIPOLAR CURRENT          | (Amp)                              | 2.2 <sup>(*)</sup> |
| UNIPOLAR CURRENT         | (Amp)                              | 3                  |
| RESISTANCE               | (Ohm)                              | 0.9                |
| INDUCTANCE               | (mH)                               | 2.2                |
| BIPOLAR HOLDING TORQUE   | (Ncm)                              | 165                |
| UNIPOLAR HOLDING TORQUE  | (Ncm)                              | 130                |
| ROTOR INERTIA            | (Kg $m^2 \times 10^{-7}$ )         | 360                |
| THEORETICAL ACCELERATION | (rad x sec. <sup>-2</sup> )        | 45800              |
| BACK E.M.F.              | (V/Krpm)                           | 31                 |
| MASS                     | (Kg)                               | 1                  |
| LEADS CODE               | IV                                 |                    |

Codes between brackets refer to double shaft models.  
Le sigle fra parentesi si riferiscono ai modelli bialbero.

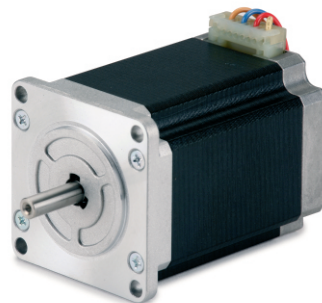
## TORQUE/SPEED CURVE



<sup>(\*)</sup>Bipolar series connection.  
<sup>(\*)</sup>Collegamento bipolare serie.



IV



Suggested R.T.A. driver: BSD Series, CSD/A-CSD Series, NDC/A-NDC Series, ADW Series, HGD Series.