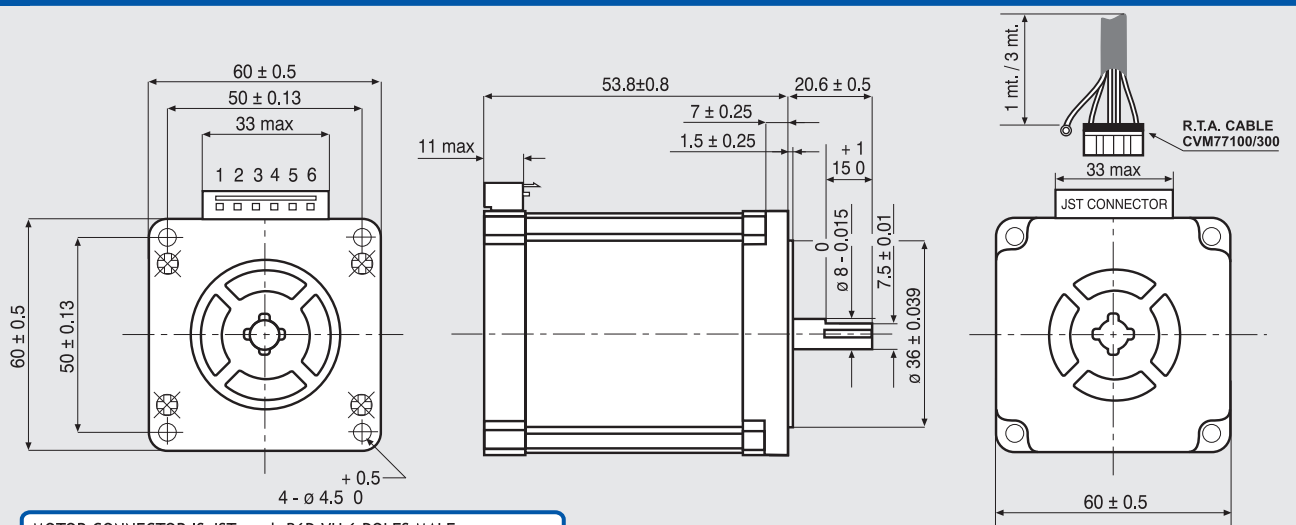


103-H7822-0740

SANYO DENKI
SANMOTION

Dimensions (Unit:mm)

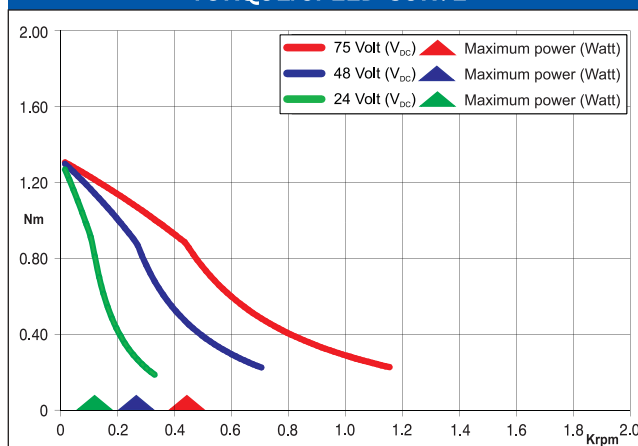


MOTOR CONNECTOR IS JST mod. B6P-VH 6 POLES MALE.
FOR CONNECTION USE JST mod. VHR-6N FEMALE CONNECTOR AND
mod. SVH-21 T-P1.1 CONTACTS.
NOTE: 103-H7822-0740 MOTORS NEED CVM77100 AND CVM77300
R.T.A. CABLES. CONTACT R.T.A. FOR FURTHER DETAILS.

FEATURES

MODEL	103-H7822-0740	
BASIC STEP ANGLE	$1.8^\circ \pm 0.09^\circ$	
BIPOLAR CURRENT	(Amp)	2.2 ^(*)
UNIPOLAR CURRENT	(Amp)	3.0
RESISTANCE	(Ohm)	0.8
INDUCTANCE	(mH)	1.38
BIPOLAR HOLDING TORQUE	(Ncm)	170
UNIPOLAR HOLDING TORQUE	(Ncm)	125
ROTOR INERTIA	(Kgm ² x 10 ⁻⁷)	400
THEORETICAL ACCELERATION	(rad x sec. ⁻²)	42500
BACK E.M.F.	(V/Krpm)	77
MASS	(Kg)	0.8
LEADS CODE	IV	

TORQUE/SPEED CURVE



^(*) Bipolar series connection.
^(*) Collegamento bipolare serie.



Suggested R.T.A. driver: BSD Series, ADW Series.

