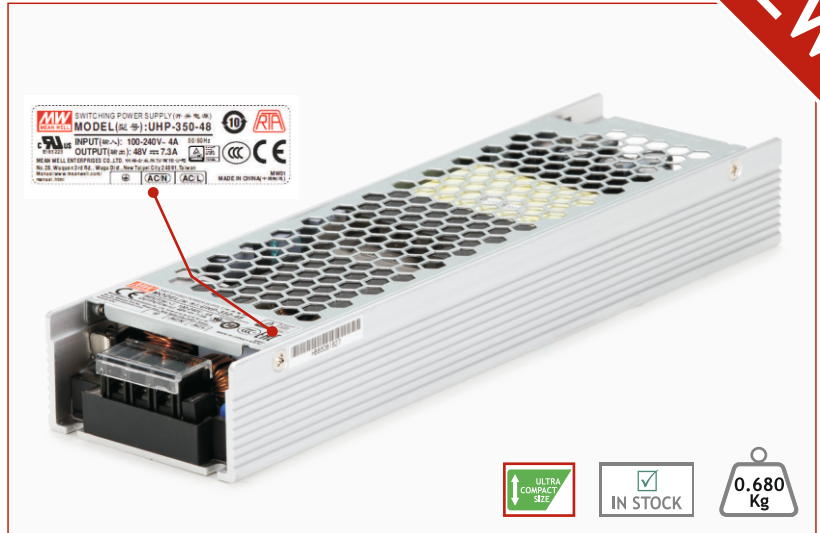


R-UHP 350-48 SWITCHING POWER SUPPLY

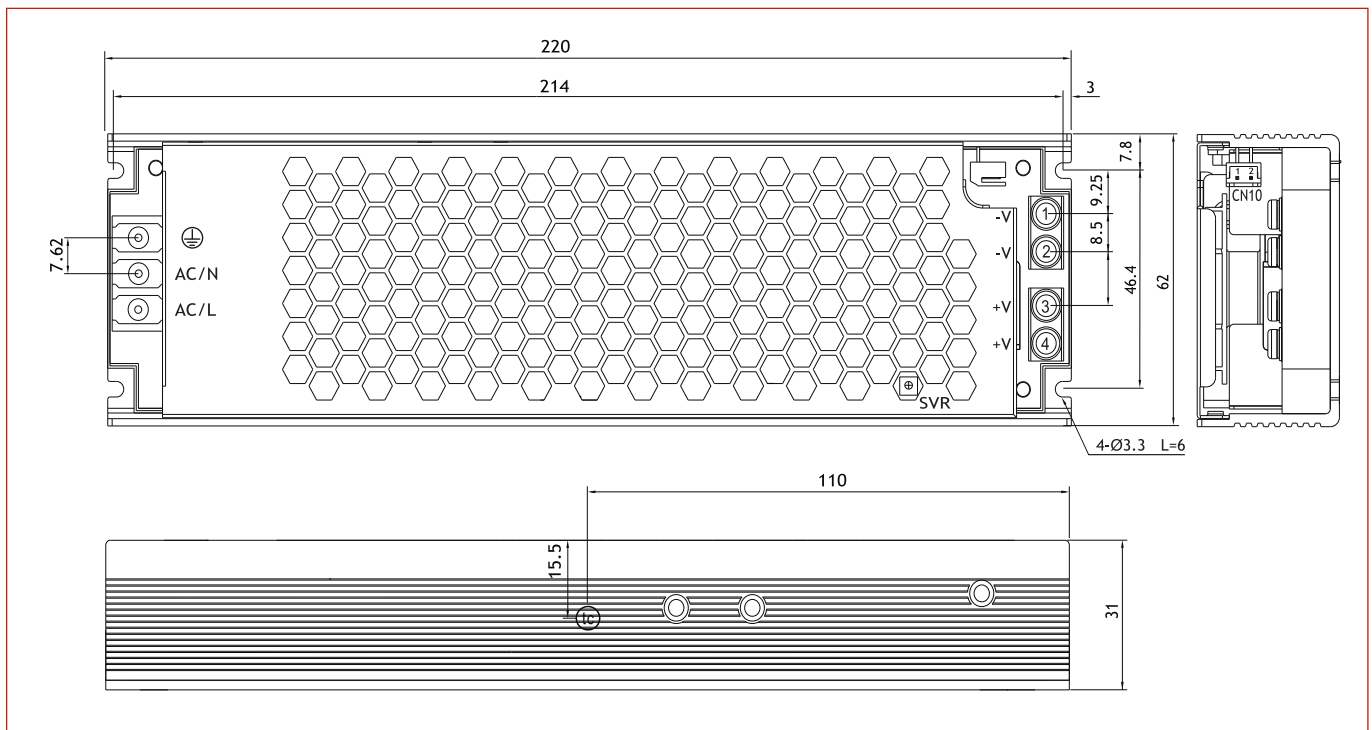
NEW!

Main Features

- 7.3A output - 48V DC
- AC input voltage range: 90~264 VAC
- -30~+70 °C ambient temperature
- Protections: Short Circuit, Overload, Over Voltage, Over Temperature
- V_{DC_OK} signal active
- Led indicator for power on
- Warranty: 24 months



Dimensions (Units:mm)



MORE INFO

DERATING CURVE

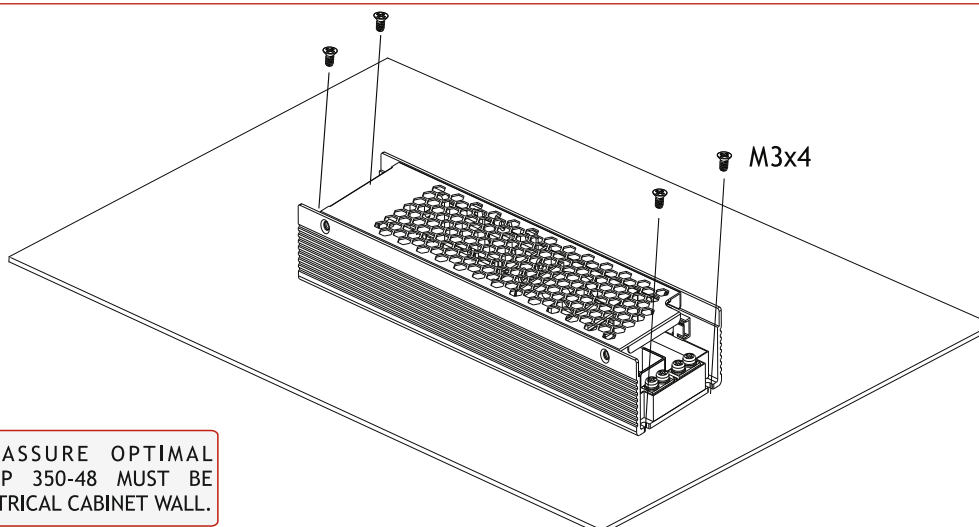
V_{DC_OK} FUNCTION MANUAL

Optocoupler C-E Pin Conduction	PSU turns on	DC ok
Optocoupler C-E Pin Open	PSU turns off	DC fail
Optocoupler Rating(max.)	15Vdc/10mA resistive load	

Specifications

MODEL		R-UHP 350-48	
OUTPUT	DC VOLTAGE	48V	
	RATED CURRENT	7.3A	
	RATED POWER (convection)	350.4W	
	VOLTAGE TOLERANCE	±1.0%	
	VOLTAGE ADJ. RANGE	45.6 ~ 50.4V	
	LINE REGULATION	±0.3%	
	LOAD REGULATION <small>Note.2</small>	±0.5%	
INPUT	VOLTAGE RANGE <small>Note.3</small>	90 ~ 264VAC	127 ~ 370VDC
	FREQUENCY RANGE	47 ~ 63Hz	
	EFFICIENCY	94%	
	AC CURRENT (Typ.)	4A/115VAC	2A/230VAC
PROTECTION	OVERLOAD	110-140% rated output power Protection type : Hiccup mode, recovers automatically after fault condition is removed	
	OVER VOLTAGE	52.8 ~ 62.4V Protection type : Shut down O/P voltage, re-power on to recover	
	OVER TEMPERATURE	Protection type : Shut down O/P voltage, recovers automatically after temperature goes down	
FUNCTION	VDC_OK SIGNAL(Optional)	Contact rating(max.): 15Vdc / 10mA resistive load	
ENVIRONMENT	WORKING TEMP.	-30 ~ +70 (Refer to "Derating Curve")	
	WORKING HUMIDITY	20 ~ 90% RH non-condensing	
	VIBRATION	10 ~ 500Hz, 5G 10min./1cycle, 60min. each along X, Y, Z axes	
SAFETY STANDARDS	UL60950-1, TUV EN60950-1, EN60335-1, CCC GB4943, EAC TP TC 004 approved, Design refer to EN61558-1, -2-16		
SAFETY & EMC (Note.5)	WITHSTAND VOLTAGE	I/P-O/P: 3.75KVAC I/P-FG: 2KVAC O/P-FG: 1.25KVAC	
	ISOLATION RESISTANCE	I/P-O/P, I/P-FG, O/P-FG: 100M Ohms/500VDC/25°C/70%RH	
	EMC EMISSION	Compliance to EN55032, GB9254, Class B, EN55014, EN61000-3-2, -3, EAC TP TC 020	
	EMC IMMUNITY	Compliance to EN61000-4-2, 3, 4, 5, 6, 8, 11; EN61000-6-2 (EN50082-2), heavy industry level, criterial A, EAC TP TC 020	
OTHERS	MTBF	285 K hrs min. MIL-HDBK-217F (25°C)	
NOTE	<ol style="list-style-type: none"> All parameters NOT specially mentioned are measured at 230 VAC input, rated load and 25°C ambient temperature. Tolerance: includes set up tolerance, line regulation and load regulation. Please check the derating curve for more details. The ambient temperature derating of 3.5°C / 1000m with fanless models and of 5°C / 1000m with fan models for operating altitude higher than 2000m (6500ft). The power supply is considered a component which will be installed into a final equipment. The final equipment must be re-confirmed that it still meets EMC directives. 		

Mounting



IN ORDER TO ASSURE OPTIMAL DISSIPATION, R-UHP 350-48 MUST BE INSTALLED ON ELECTRICAL CABINET WALL.