



Motion Control Systems

NEW PRODUCTS 2017
SG SERIES
PLANETARY GEARBOXES



SG SERIES PLANETARY GEARBOXES
NEW PRODUCTS 2017

SG SERIES

PLANETARY GEARBOXES

NEW PRODUCTS 2017



Warning / Attenzione

- The sole purpose of this catalogue is as a general introduction to our products, in order to allow an orientation as well as a choice among them. Detailed information concerning limitations and installation/utilization procedures are described in the manuals relating to each product. It is therefore essential to strictly refer to these enclosed technical manuals for a correct use, in accordance with current standards.
- All those products for which a specific obligation is required, as per law regulation in force in the European Community countries, bear the EC marking stating they are in accordance with the related directives.
- All products are classed as components foreseen to be integrated in a more complex machine or installation by a professional assembler, expert in the field of motor drives and in their related problems. Only a professional assembler can install and put in service this component. The necessary installation recommendations are included in the technical manuals.
- R.T.A. reserves the right to modify the products at any time and without prior notice (including, but not limited to, characteristics, availability and prices).
- Use for safety related functions is forbidden (EN 60204-1). Moreover, when the application arrangement is in such way that a motor fault or failure could generate a risk for property or human life, external independent safety protection system must be provided in the machine.
- Unico scopo di questo catalogo è una presentazione generale dei prodotti atta a consentire un orientamento e una scelta tra gli stessi. Informazioni precise e dettagliate in merito alle limitazioni e modalità di installazione ed uso sono riportate nei manuali tecnici relativi ai singoli prodotti. Pertanto, per un loro uso corretto e conforme alle normative in vigore, è indispensabile fare riferimento a tali manuali tecnici.
- Tutti quei prodotti per i quali vi è obbligo specifico, ai sensi delle disposizioni di legge vigenti nei paesi della Comunità Europea, recano la marcatura CE attestante la conformità alle direttive che li riguardano.
- Tutti i prodotti riportati nel catalogo sono componenti atti ad essere integrati in apparecchiature o macchine più complesse. La loro installazione e messa in servizio deve essere fatta da un assemblatore professionale competente nel settore degli azionamenti per motori e delle loro problematiche. Le necessarie prescrizioni e indicazioni per la installazione sono incluse nei manuali tecnici.
- R.T.A. si riserva il diritto di apportare modifiche ai prodotti (incluso, senza limitazione alcuna, caratteristiche, disponibilità e prezzi) in qualsiasi momento e senza preavviso.
- L'uso per funzioni legate alla sicurezza (EN 60204-1) è vietato. In ogni caso, se per le particolari condizioni dell'applicazione una rottura o un non corretto funzionamento del motore possono generare rischi per i beni o per le persone, nella macchina devono essere previsti sistemi di sicurezza esterni indipendenti atti ad eliminare il rischio.












CONTENTS		Page
STEPPER GEARBOXES		
INTRODUCTION		4
<i>i=3</i>		
	➤ SG-P11-050-003-12-HH-712X	5
	➤ SG-P11-050-003-12-HH-782X	6
	➤ SG-P11-070-003-12-SM-286X	7
<i>i=5</i>		
	➤ SG-P11-050-005-12-HH-712X	8
	➤ SG-P11-050-005-12-HH-782X	9
	➤ SG-P11-050-005-12-SM-2861	10
	➤ SG-P11-070-005-12-SM-286X	11
<i>i=9</i>		
	➤ SG-P11-050-009-12-HH-712X	12
<i>i=10</i>		
	➤ SG-P11-070-010-12-HH-782X	13
	➤ SG-P11-070-010-12-SM-2861	14
	➤ SG-P11-090-010-12-SM-286X	15
SERVO GEARBOXES		
INTRODUCTION		18
<i>i=5</i>		
	➤ SG-P11-070-005-12-R2-0X00	19
	➤ SG-P11-090-005-12-R2-0750	20
	➤ SG-P11-090-005-12-R2-1000	21
<i>i=10</i>		
	➤ SG-P11-070-010-12-R2-0X00	22
	➤ SG-P11-090-010-12-R2-0400	23
	➤ SG-P11-090-010-12-R2-0750	24
	➤ SG-P11-120-010-12-R2-0750	25
	➤ SG-P11-120-010-12-R2-1000	26
<i>i=25</i>		
	➤ SG-P11-090-025-15-R2-0X00	27
	➤ SG-P11-120-025-15-R2-0750	28
	➤ SG-P11-120-025-15-R2-1000	29

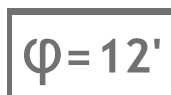
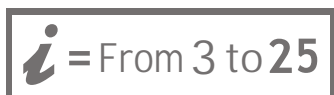


Stepper Gearboxes

STEPPER GEARBOXES SG SERIES

TABLE OF CONTENTS

SG SERIES STEPPER GEARBOXES	GEARBOX BODY (mm.)	MAXIMUM VELOCITY (min ⁻¹)	BACKLASH (arcmin)	EMERGENCY TORQUE (Nm)	MOTOR COUPLING (Flange Size)	TECHNICAL DATA DATI TECNICI (page/pagina)
<i>i=3</i>						
 SG-P11-050-003-12-HH-712X	60	4000	12'	28	NEMA 23	5
 SG-P11-050-003-12-HH-782X	60	4000	12'	28	60 mm.	6
 SG-P11-070-003-12-SM-286X	85	4000	12'	60	NEMA 34	7
<i>i=5</i>						
 SG-P11-050-005-12-HH-712X	60	5000	12'	30	NEMA 23	8
 SG-P11-050-005-12-HH-782X	60	5000	12'	30	60 mm.	9
 SG-P11-050-005-12-SM-2861	85	5000	12'	30	NEMA 34	10
 SG-P11-070-005-12-SM-286X	85	5000	12'	70	NEMA 34	11
<i>i=9</i>						
 SG-P11-050-009-12-HH-712X	60	6000	12'	28	NEMA 23	12
<i>i=10</i>						
 SG-P11-070-010-12-HH-782X	60	6000	12'	60	60 mm.	13
 SG-P11-070-010-12-SM-2861	85	6000	12'	60	NEMA 34	14
 SG-P11-090-010-12-SM-286X	85	6000	12'	150	NEMA 34	15



SG-P11-050-003-12-HH-712X-00000

PLANETARY GEARBOXES

SG 050

i=003

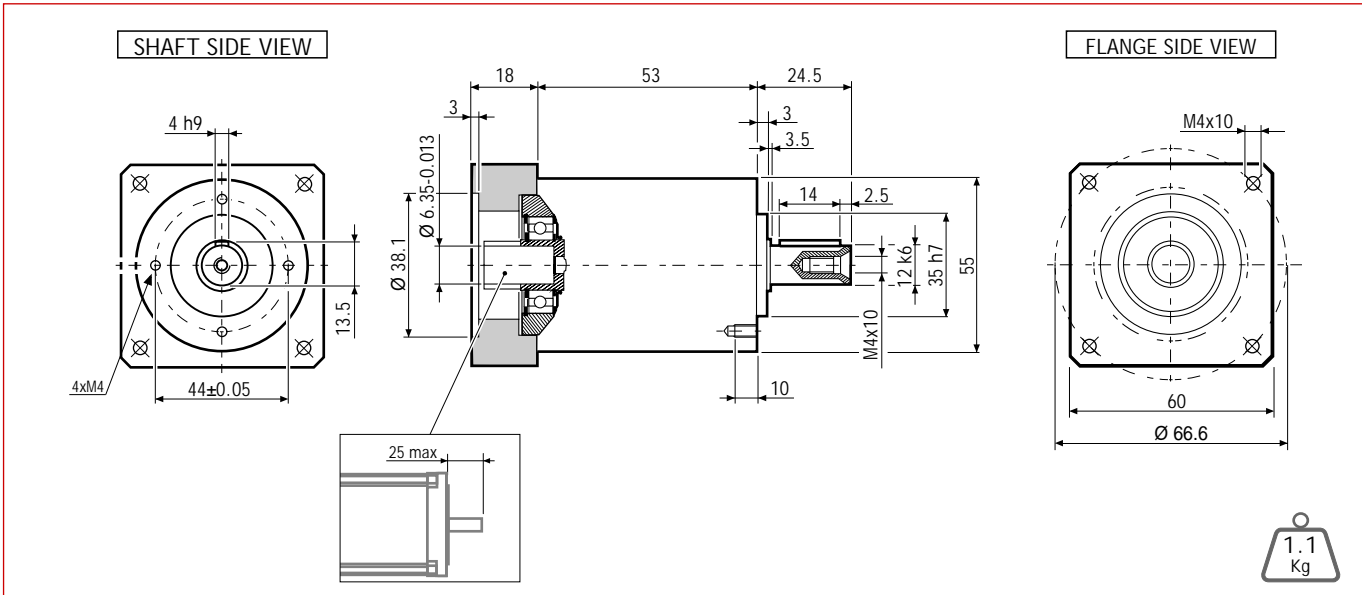
=12'

MADE IN ITALY

IP64



Dimensions (Units:mm)



MODEL	Rated output torque [Nm]	Maximum acceleration output torque [Nm]	Emergency step output torque [Nm]	Backlash [arcmin]	Nominal input speed [min ⁻¹]	Maximum momentary input speed [min ⁻¹]	Torsional stiffness [Nm/arcmin]	Maximum radial force applying on output shaft [N]	Maximum axial force applying on output shaft [N]	Gear efficiency [%]	Gear moment of inertia [Kg·m ²]
SG-P11-050-003-12-HH-712X-00000	10	16	28	12'	3300	4000	0.9	500	600	97	0.07x10 ⁻⁴

Suggested motors

	<p>103-H7123 SERIES</p>	<p>103-H7126 SERIES</p>
<p>MOUNTING OPERATION MODE: ■ Tightening torque M=5 Nm ■ Locking bolt M4 ■ R.T.A. Quality Control</p>		

SG-P11-050-003-12-HH-782X-00000

PLANETARY GEARBOXES

SG 050

i=003

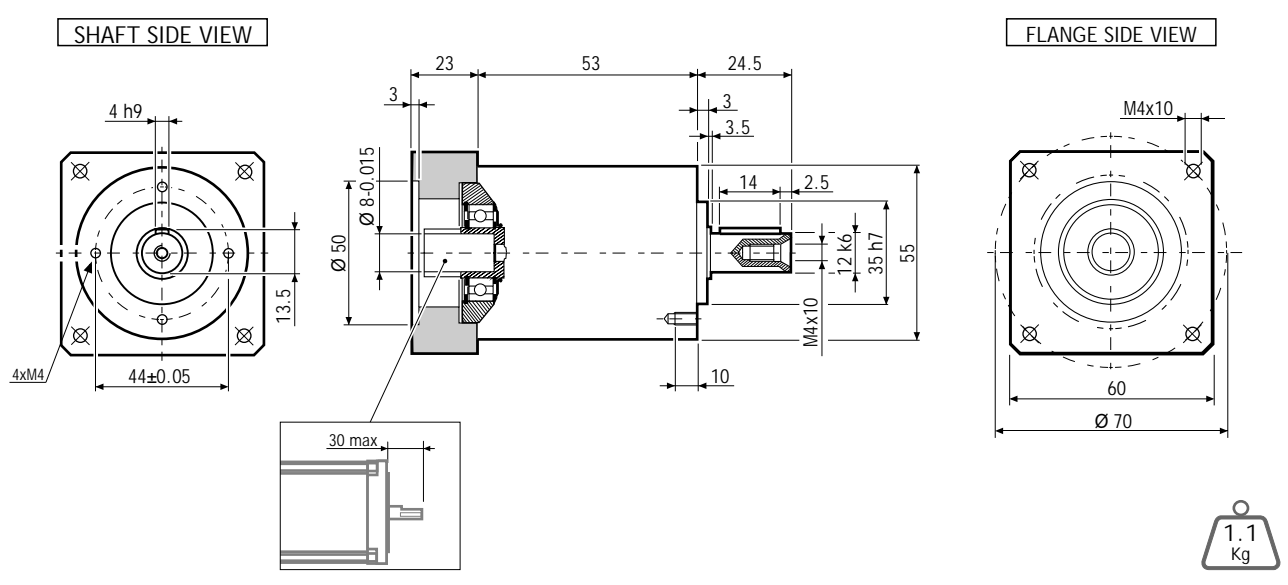
=12'

MADE IN ITALY

IP64



Dimensions (Units:mm)



MODEL	Rated output torque [Nm]	Maximum acceleration output torque [Nm]	Emergency step output torque [Nm]	Backlash [arcmin]	Nominal input speed [min ⁻¹]	Maximum momentary input speed [min ⁻¹]	Torsional stiffness [Nm/arcmin]	Maximum radial force applying on output shaft [N]	Maximum axial force applying on output shaft [N]	Gear efficiency [%]	Gear moment of inertia [Kg ^m ²]
SG-P11-050-003-12-HH-782X-00000	10	16	28	12'	3300	4000	0.9	500	600	97	0.07x10 ⁴

Suggested motors

103-H7823 SERIES

MOUNTING OPERATION MODE: ■ Tightening torque M=5 Nm ■ Locking bolt M4 ■ R.T.A. Quality Control

SG-P11-070-003-12-SM-286X-00000

PLANETARY GEARBOXES

SG 070

i=003

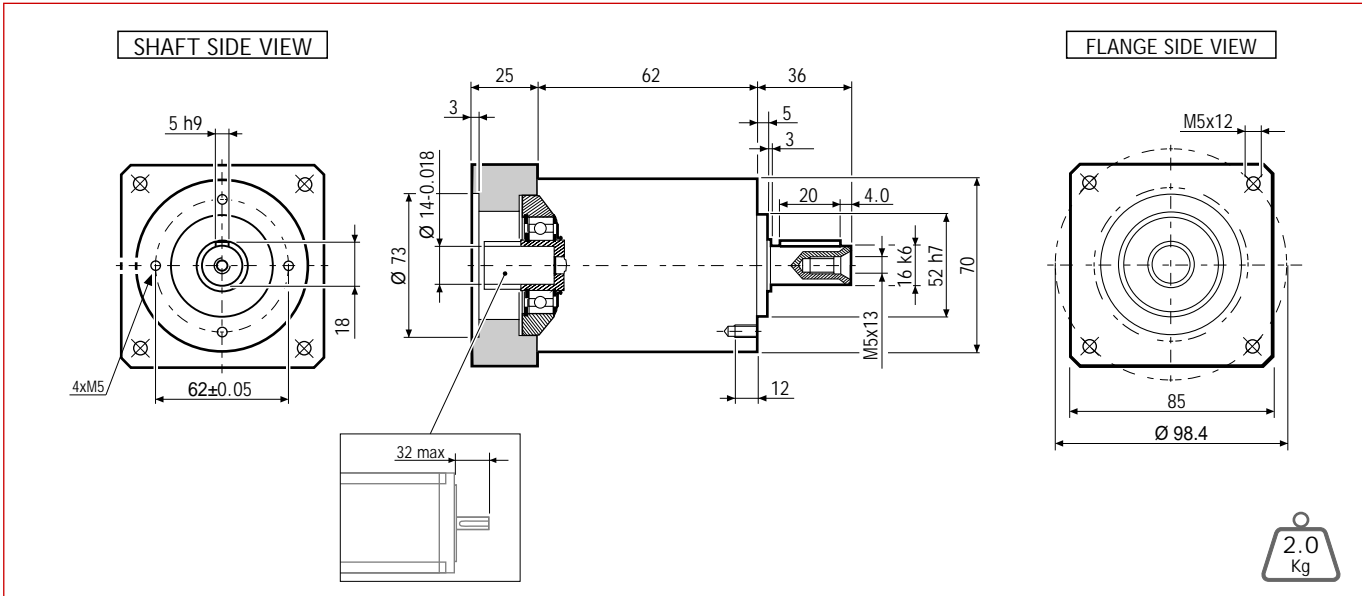
=12'

MADE IN ITALY

IP64



Dimensions (Units:mm)



MODEL	Rated output torque [Nm]	Maximum acceleration output torque [Nm]	Emergency step output torque [Nm]	Backlash [arcmin]	Nominal input speed [min ⁻¹]	Maximum momentary input speed [min ⁻¹]	Torsional stiffness [Nm/arcmin]	Maximum radial force applying on output shaft [N]	Maximum axial force applying on output shaft [N]	Gear efficiency [%]	Gear moment of inertia [Kgm ²]
SG-P11-070-003-12-SM-286X-00000	18	30	60	12'	3300	4000	3	1300	1400	97	0.14x10 ⁻⁴

Suggested motors

MOUNTING OPERATION MODE:

SM 2862 SERIES

SM 2863 SERIES

■ Tightening torque M=5 Nm
 ■ Locking bolt M4
 ■ R.T.A. Quality Control

SG-P11-050-005-12-HH-712X-00000

PLANETARY GEARBOXES

SG 050

i=005

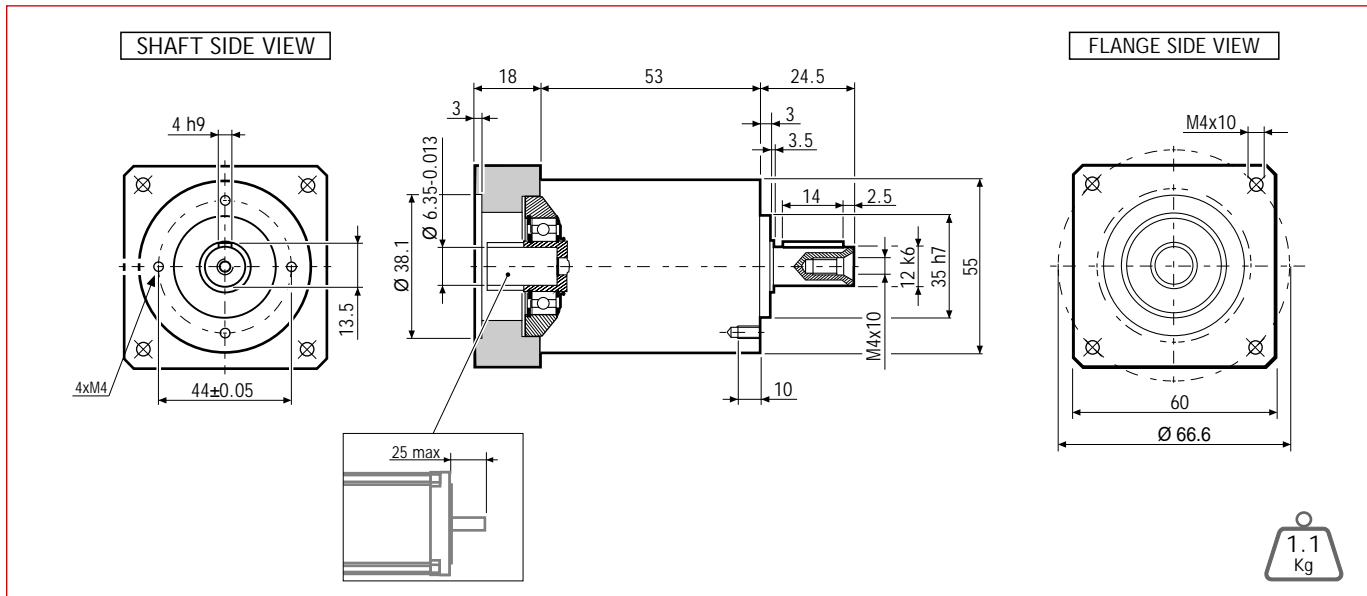
=12'

MADE IN ITALY

IP64



Dimensions (Units:mm)



MODEL	Rated output torque [Nm]	Maximum acceleration output torque [Nm]	Emergency step output torque [Nm]	Backlash [arcmin]	Nominal input speed [min ⁻¹]	Maximum momentary input speed [min ⁻¹]	Torsional stiffness [Nm/arcmin]	Maximum radial force applying on output shaft [N]	Maximum axial force applying on output shaft [N]	Gear efficiency [%]	Gear moment of inertia [Kg ^m ²]
SG-P11-050-005-12-HH-712X-00000	12	20	30	12'	3500	5000	0.9	500	600	97	0.05x10 ⁴

Suggested motors



MOUNTING OPERATION MODE: ■ Tightening torque M=5 Nm ■ Locking bolt M4 ■ R.T.A. Quality Control

SG-P11-050-005-12-HH-782X-00000

PLANETARY GEARBOXES

SG 050

i=005

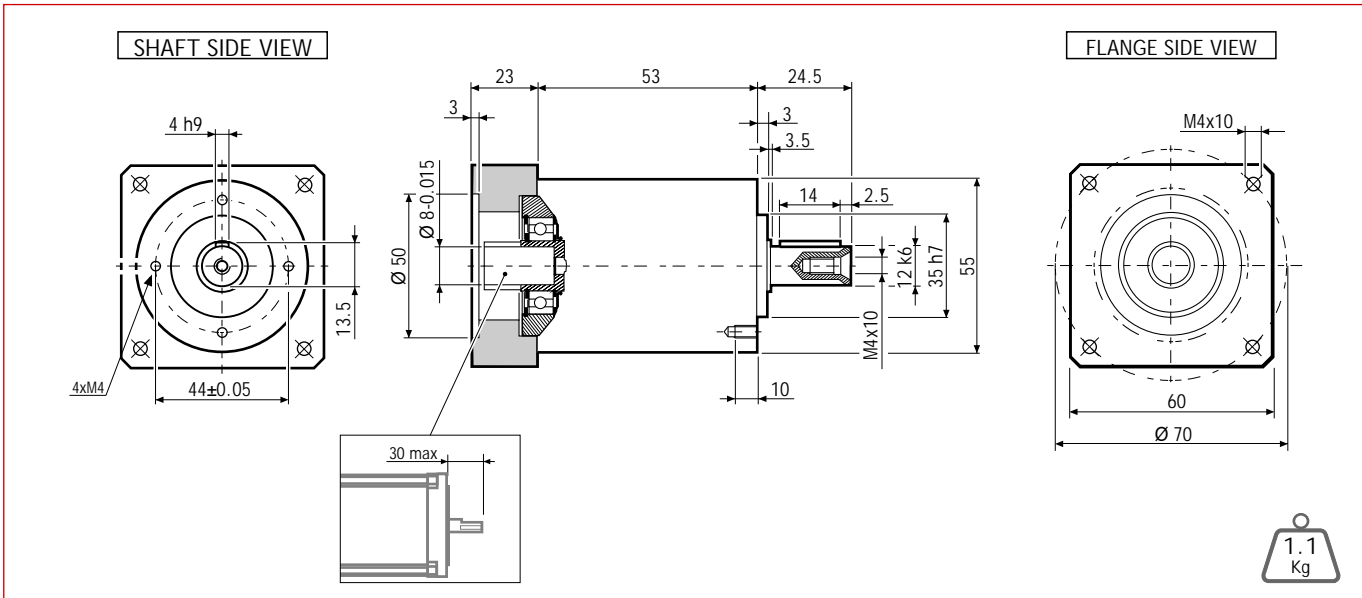
=12'

MADE IN ITALY

IP64



Dimensions (Units:mm)



MODEL	Rated output torque [Nm]	Maximum acceleration output torque [Nm]	Emergency step output torque [Nm]	Backlash [arcmin]	Nominal input speed [min ⁻¹]	Maximum momentary input speed [min ⁻¹]	Torsional stiffness [Nm/arcmin]	Maximum radial force applying on output shaft [N]	Maximum axial force applying on output shaft [N]	Gear efficiency [%]	Gear moment of inertia [Kg·m ²]
SG-P11-050-005-12-HH-782X-00000	12	20	30	12'	3500	5000	0.9	500	600	97	0.05x10 ⁻⁴

Suggested motors



MOUNTING OPERATION MODE: ■ Tightening torque M=5 Nm ■ Locking bolt M4 ■ R.T.A. Quality Control

SG-P11-050-005-12-SM-2861-00000

PLANETARY GEARBOXES

SG 050

i=005

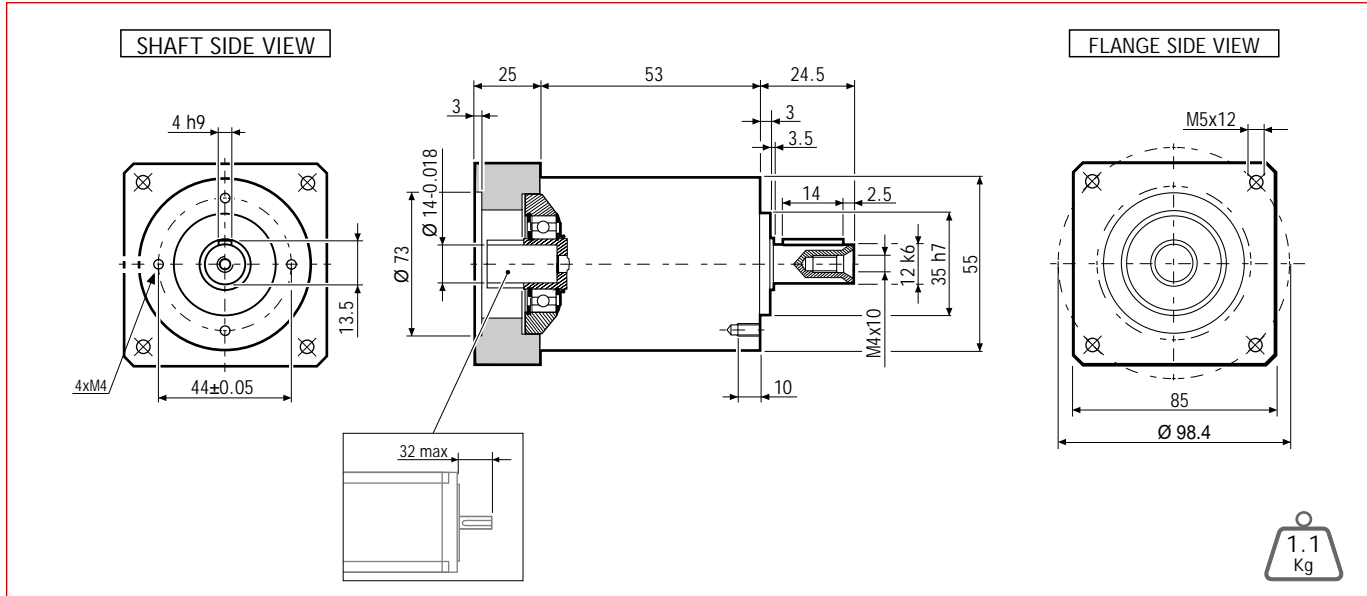
=12'

MADE IN ITALY

IP64

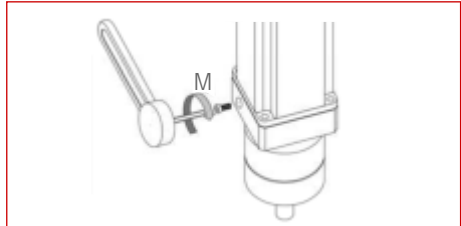


Dimensions (Units:mm)



MODEL	Rated output torque [Nm]	Maximum acceleration output torque [Nm]	Emergency step output torque [Nm]	Backlash [arcmin]	Nominal input speed [min ⁻¹]	Maximum momentary input speed [min ⁻¹]	Torsional stiffness [Nm/arcmin]	Maximum radial force applying on output shaft [N]	Maximum axial force applying on output shaft [N]	Gear efficiency [%]	Gear moment of inertia [Kg·m ²]
SG-P11-050-005-12-SM-2861-00000	12	20	30	12'	3500	5000	0.9	500	600	97	0.07x10 ⁴

Suggested motors



MOUNTING OPERATION MODE: ■ Tightening torque M=5 Nm ■ Locking bolt M4 ■ R.T.A. Quality Control

SG-P11-070-005-12-SM-286X-00000

PLANETARY GEARBOXES

SG 070

i=005

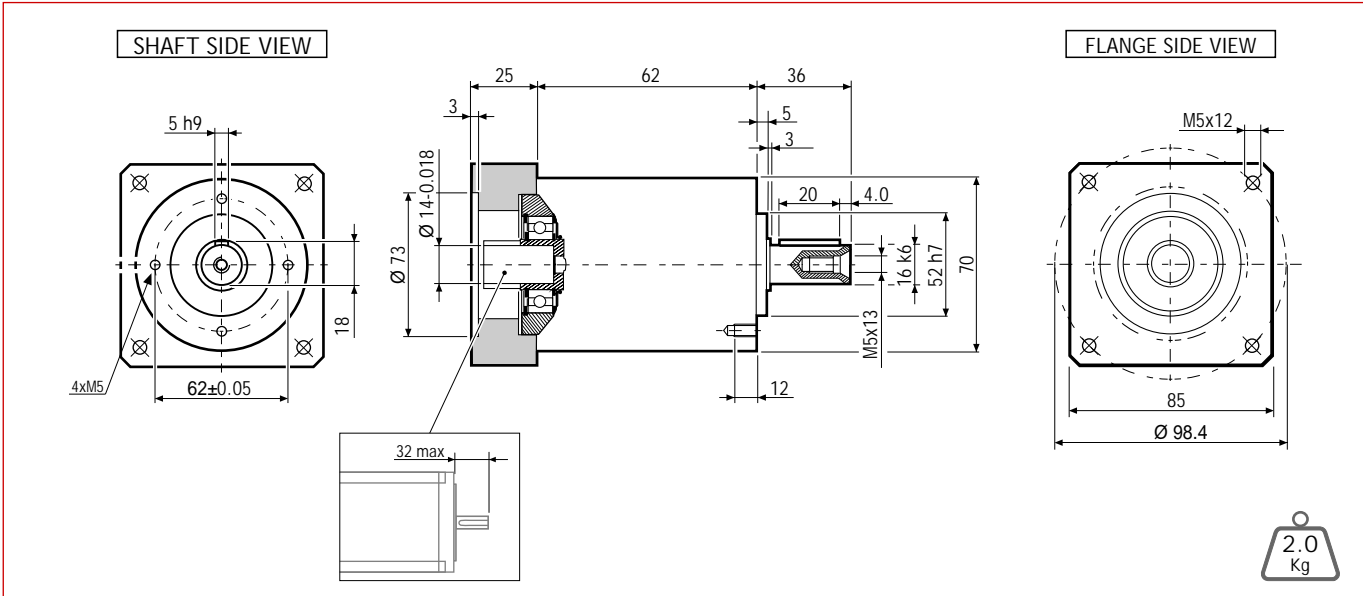
=12'

MADE IN ITALY

IP64



Dimensions (Units:mm)



MODEL	Rated output torque [Nm]	Maximum acceleration output torque [Nm]	Emergency step output torque [Nm]	Backlash [arcmin]	Nominal input speed [min ⁻¹]	Maximum momentary input speed [min ⁻¹]	Torsional stiffness [Nm/arcmin]	Maximum radial force applying on output shaft [N]	Maximum axial force applying on output shaft [N]	Gear efficiency [%]	Gear moment of inertia [Kg·m ²]
SG-P11-070-005-12-SM-286X-00000	25	35	70	12'	3500	5000	3	1300	1400	97	0.09x10 ⁻⁴

Suggested motors

MOUNTING OPERATION MODE: ■ Tightening torque M=5 Nm

SM 2862 SERIES

■ Locking bolt M4

SM 2863 SERIES

■ R.T.A. Quality Control

SG-P11-050-009-12-HH-712X-00000

PLANETARY GEARBOXES

SG 050

i=009

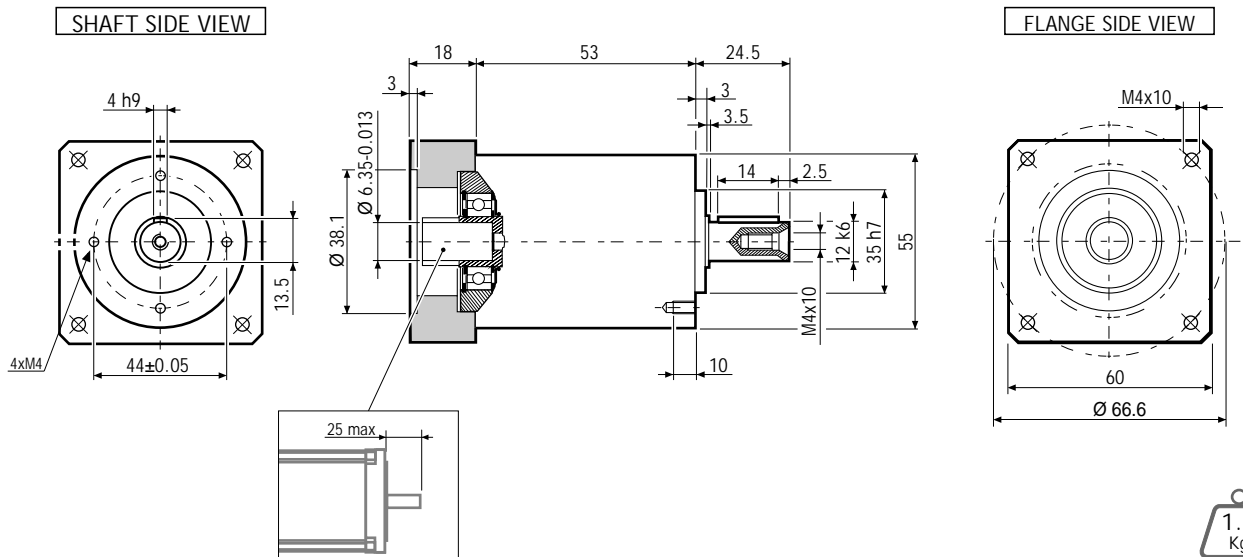
= 12'

MADE IN ITALY

IP64

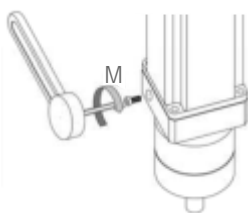


Dimensions (Units:mm)



MODEL	Rated output torque [Nm]	Maximum acceleration output torque [Nm]	Emergency step output torque [Nm]	Backlash [arcmin]	Nominal input speed [min ⁻¹]	Maximum momentary input speed [min ⁻¹]	Torsional stiffness [Nm/arcmin]	Maximum radial force applying on output shaft [N]	Maximum axial force applying on output shaft [N]	Gear efficiency [%]	Gear moment of inertia [Kg·m ²]
SG-P11-050-009-12-HH-712X-00000	10	16	28	12'	4000	6000	0.9	500	600	97	0.04x10 ⁻⁴

Suggested motors



103-H7123 SERIES



103-H7126 SERIES



MOUNTING OPERATION MODE: ■ Tightening torque M=5 Nm ■ Locking bolt M4 ■ R.T.A. Quality Control

SG-P11-070-010-12-HH-782X-00000

PLANETARY GEARBOXES

SG 070

i=010

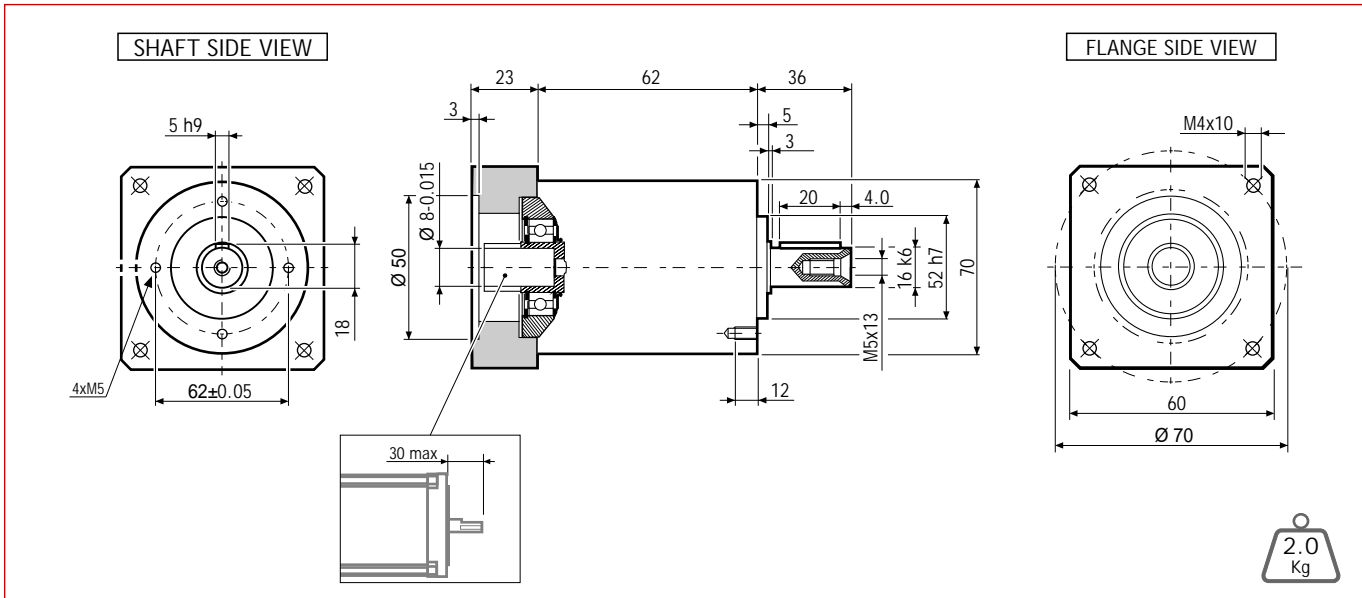
=12'

MADE IN ITALY

IP64



Dimensions (Units:mm)



MODEL	Rated output torque [Nm]	Maximum acceleration output torque [Nm]	Emergency step output torque [Nm]	Backlash [arcmin]	Nominal input speed [min ⁻¹]	Maximum momentary input speed [min ⁻¹]	Torsional stiffness [Nm/arcmin]	Maximum radial force applying on output shaft [N]	Maximum axial force applying on output shaft [N]	Gear efficiency [%]	Gear moment of inertia [Kg·m ²]
SG-P11-070-010-12-HH-782X-00000	18	30	60	12'	4000	6000	3	1300	1400	97	0.06x10 ⁻⁴

Suggested motors



103-H7823 SERIES



MOUNTING OPERATION MODE: ■ Tightening torque M=5 Nm ■ Locking bolt M4 ■ R.T.A. Quality Control

SG-P11-070-010-12-SM-2861-00000

PLANETARY GEARBOXES

SG 070

i=010

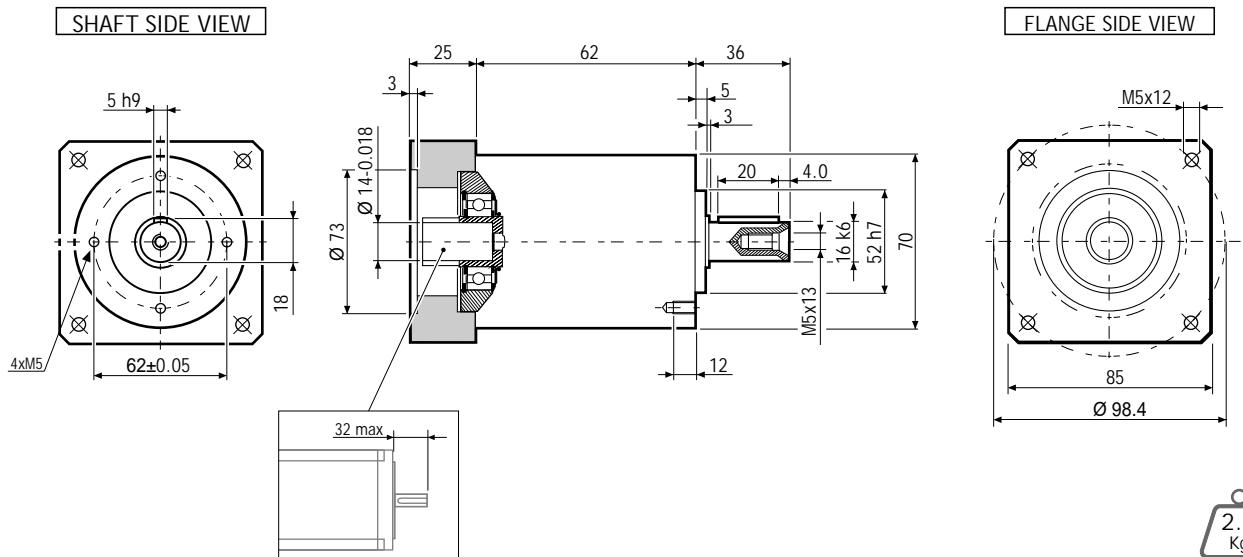
= 12'

MADE IN ITALY

IP64



Dimensions (Units:mm)



MODEL	Rated output torque [Nm]	Maximum acceleration output torque [Nm]	Emergency step output torque [Nm]	Backlash [arcmin]	Nominal input speed [min ⁻¹]	Maximum momentary input speed [min ⁻¹]	Torsional stiffness [Nm/arcmin]	Maximum radial force applying on output shaft [N]	Maximum axial force applying on output shaft [N]	Gear efficiency [%]	Gear moment of inertia [Kg·m ²]
SG-P11-070-010-12-SM-2861-00000	18	30	60	12'	4000	6000	3	1300	1400	97	0.04x10 ⁻⁴

Suggested motors

SM 2861 SERIES

MOUNTING OPERATION MODE: ■ Tightening torque M=5 Nm ■ Locking bolt M4 ■ R.T.A. Quality Control

SG-P11-090-010-12-SM-286X-00000

PLANETARY GEARBOXES

SG 090

i=010

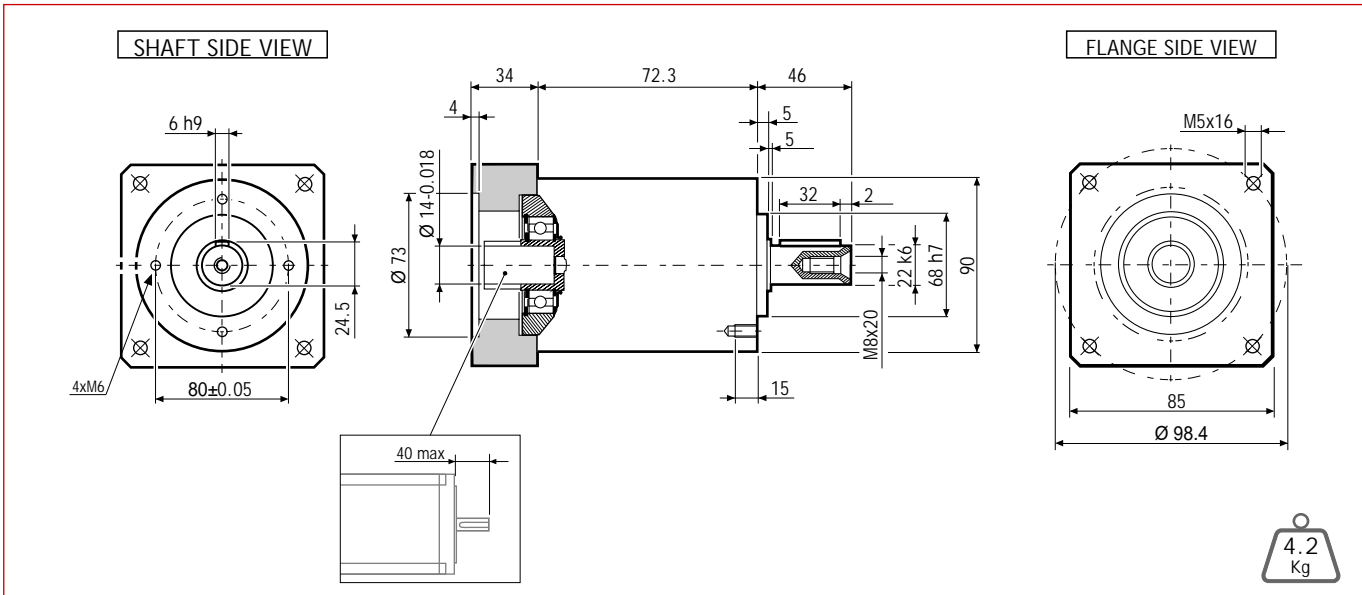
=12'

MADE IN ITALY

IP64



Dimensions (Units:mm)



MODEL	Rated output torque [Nm]	Maximum acceleration output torque [Nm]	Emergency step output torque [Nm]	Backlash [arcmin]	Nominal input speed [min ⁻¹]	Maximum momentary input speed [min ⁻¹]	Torsional stiffness [Nm/arcmin]	Maximum radial force applying on output shaft [N]	Maximum axial force applying on output shaft [N]	Gear efficiency [%]	Gear moment of inertia [Kg·m ²]
SG-P11-090-010-12-SM-286X-00000	37	70	150	12'	4000	6000	9	2200	1900	97	0.35x10 ⁻⁴

Suggested motors

SM 2862 SERIES

SM 2863 SERIES

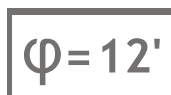
MOUNTING OPERATION MODE: ■ Tightening torque M=11 Nm ■ Locking bolt M6 ■ R.T.A. Quality Control



Servo Gearboxes

SERVO GEARBOXES SG SERIES TABLE OF CONTENTS

SG SERIES STEPPER GEARBOXES		GEARBOX BODY (mm.)	MAXIMUM VELOCITY (min ⁻¹)	BACKLASH (arcmin)	EMERGENCY TORQUE (Nm)	MOTOR COUPLING (Flange Size)	TECHNICAL DATA DATI TECNICI (page/pagina)
<i>i=5</i>							
	SG-P11-070-005-12-R2-0X00	60	5000	12'	70	60 mm.	19
	SG-P11-090-005-12-R2-0750	80	4500	12'	160	80 mm.	20
	SG-P11-090-005-12-R2-1000	90	4500	12'	160	100 mm.	21
<i>i=10</i>							
	SG-P11-070-010-12-R2-0X00	60	6000	12'	60	60 mm.	22
	SG-P11-090-010-12-R2-0400	80	6000	12'	150	60 mm.	23
	SG-P11-090-010-12-R2-0750	80	6000	12'	150	80 mm.	24
	SG-P11-120-010-12-R2-0750	80	6000	12'	300	80 mm.	25
	SG-P11-120-010-12-R2-1000	100	5000	12'	300	100 mm.	26
<i>i=25</i>							
	SG-P11-090-025-15-R2-0X00	80	4500	12'	160	60 mm.	27
	SG-P11-120-025-15-R2-0750	100	4500	12'	360	80 mm.	28
	SG-P11-120-025-15-R2-1000	100	4500	12'	360	100 mm.	29



SG-P11-070-005-12-R2-0X00-00000

PLANETARY GEARBOXES

SG 070

i=005

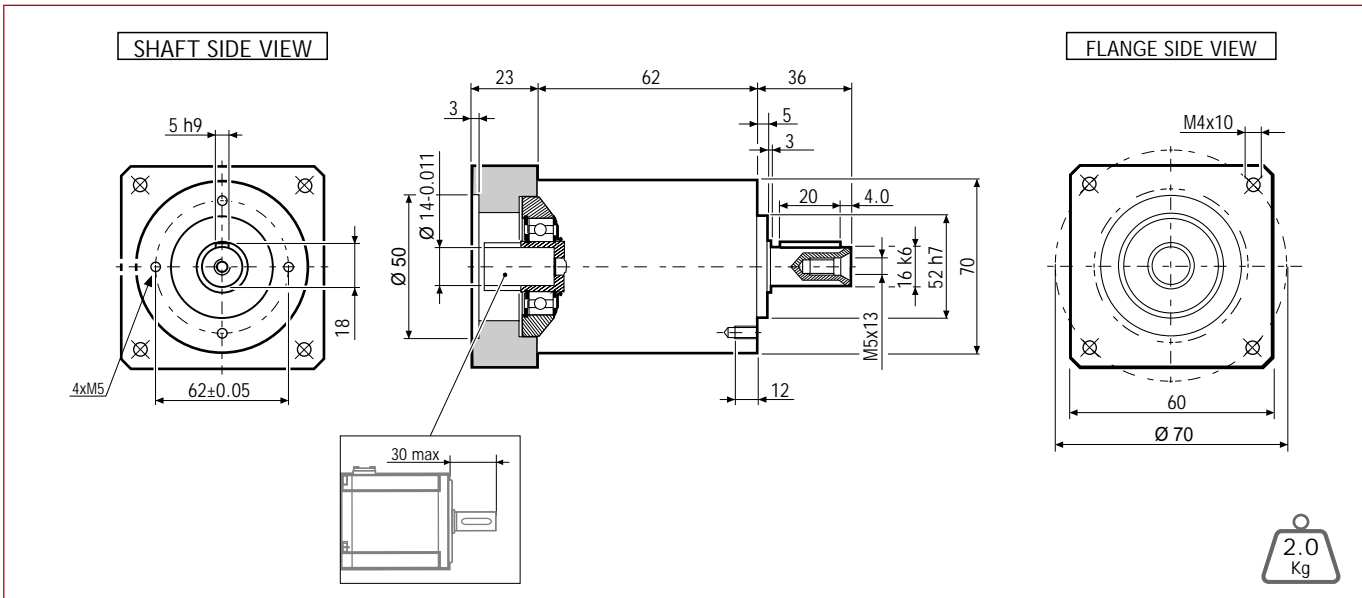
=12'

MADE IN ITALY

IP64



Dimensions (Units:mm)



MODEL	Rated output torque [Nm]	Maximum acceleration output torque [Nm]	Emergency step output torque [Nm]	Backlash [arcmin]	Nominal input speed [min ⁻¹]	Maximum momentary input speed [min ⁻¹]	Torsional stiffness [Nm/arcmin]	Maximum radial force applying on output shaft [N]	Maximum axial force applying on output shaft [N]	Gear efficiency [%]	Gear moment of inertia [Kgm ²]
SG-P11-070-005-12-R2-0X00-00000	25	35	70	12'	3500	5000	3	1300	1400	97	0.09x10 ⁻⁴

Suggested motors

	R2AA06020 SERIES 	R2AA06040 SERIES
MOUNTING OPERATION MODE: ■ Tightening torque M=5 Nm ■ Locking bolt M4 ■ R.T.A. Quality Control		

SG-P11-090-005-12-R2-0750-00000

PLANETARY GEARBOXES

SG 090

i=005

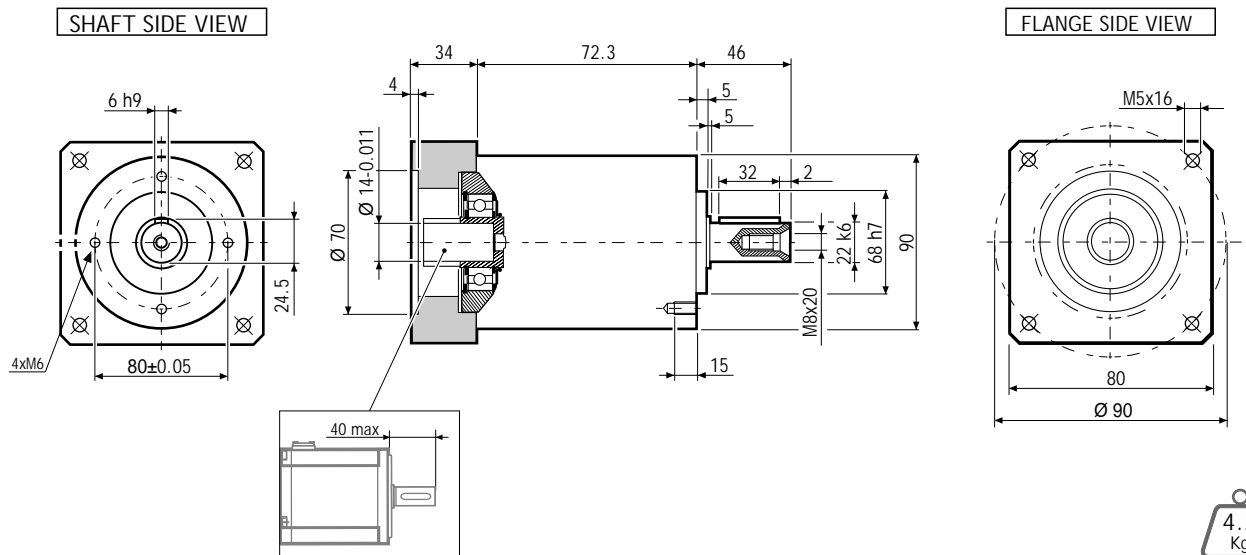
=12'

MADE IN ITALY

IP64

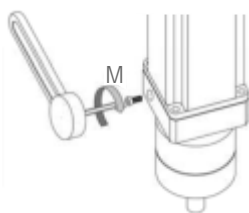


Dimensions (Units:mm)



MODEL	Rated output torque [Nm]	Maximum acceleration output torque [Nm]	Emergency step output torque [Nm]	Backlash [arcmin]	Nominal input speed [min ⁻¹]	Maximum momentary input speed [min ⁻¹]	Torsional stiffness [Nm/arcmin]	Maximum radial force applying on output shaft [N]	Maximum axial force applying on output shaft [N]	Gear efficiency [%]	Gear moment of inertia [Kg·m ²]
SG-P11-090-005-12-R2-0750-00000	43	80	160	12'	3200	4500	9	2200	1900	97	0.47x10 ⁻⁴

Suggested motors



R2AA08075 SERIES



MOUNTING OPERATION MODE: ■ Tightening torque M=11 Nm ■ Locking bolt M6 ■ R.T.A. Quality Control

SG-P11-090-005-12-R2-1000-00000

PLANETARY GEARBOXES

SG 090

i=005

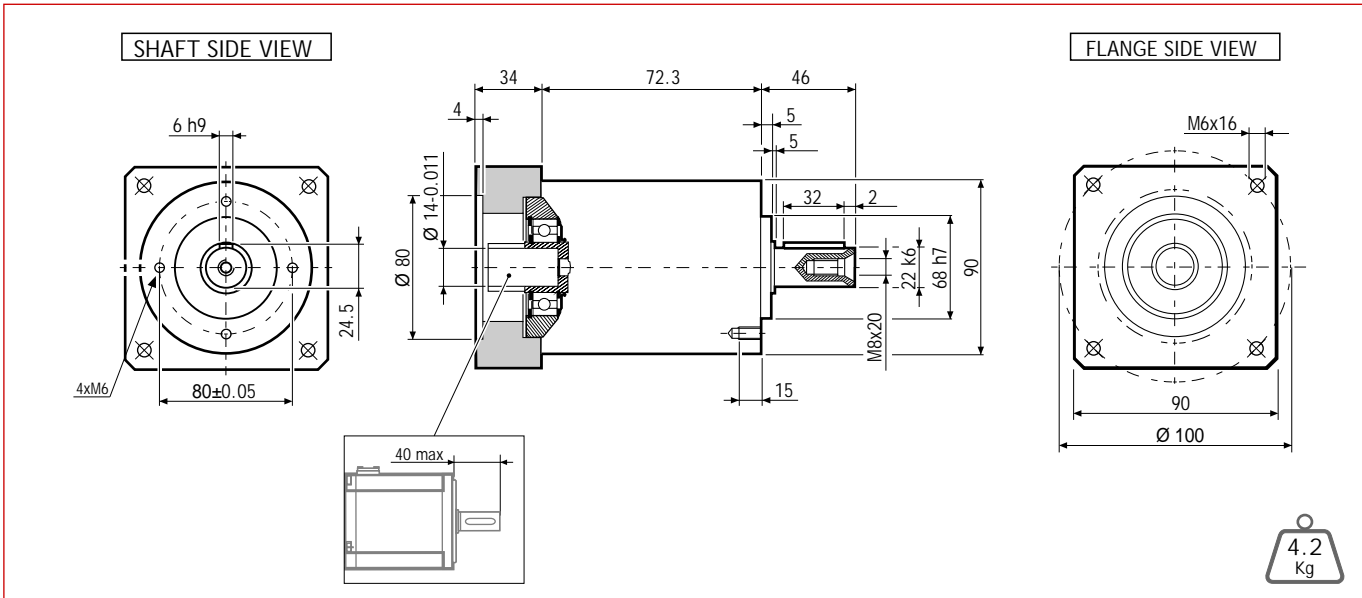
=12'

MADE IN ITALY

IP64



Dimensions (Units:mm)



MODEL	Rated output torque [Nm]	Maximum acceleration output torque [Nm]	Emergency step output torque [Nm]	Backlash [arcmin]	Nominal input speed [min ⁻¹]	Maximum momentary input speed [min ⁻¹]	Torsional stiffness [Nm/arcmin]	Maximum radial force applying on output shaft [N]	Maximum axial force applying on output shaft [N]	Gear efficiency [%]	Gear moment of inertia [Kg ^m ²]
SG-P11-090-005-12-R2-1000-00000	43	80	160	12'	3200	4500	9	2200	1900	97	0.47x10 ⁻⁴

Suggested motors



MOUNTING OPERATION MODE: ■ Tightening torque M=11 Nm ■ Locking bolt M6 ■ R.T.A. Quality Control

SG-P11-070-010-12-R2-0X00-00000

PLANETARY GEARBOXES

SG 070

i=010

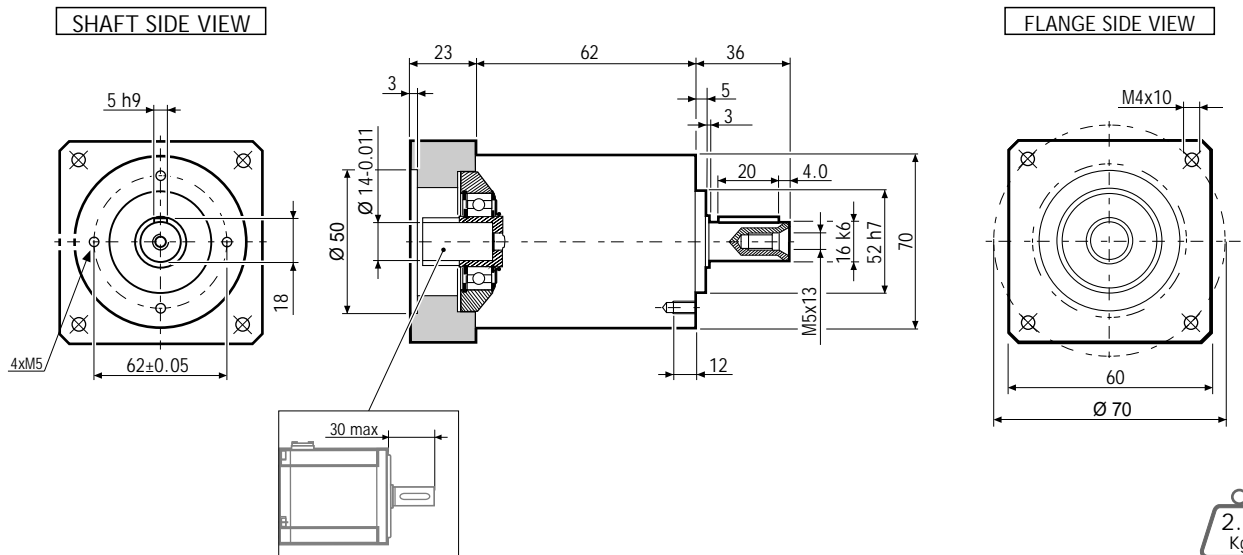
=12'

MADE IN ITALY

IP64

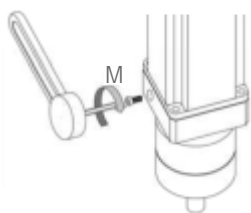


Dimensions (Units:mm)



MODEL	Rated output torque [Nm]	Maximum acceleration output torque [Nm]	Emergency step output torque [Nm]	Backlash [arcmin]	Nominal input speed [min ⁻¹]	Maximum momentary input speed [min ⁻¹]	Torsional stiffness [Nm/arcmin]	Maximum radial force applying on output shaft [N]	Maximum axial force applying on output shaft [N]	Gear efficiency [%]	Gear moment of inertia [Kg·m ²]
SG-P11-070-010-12-R2-0X00-00000	18	30	60	12'	4000	6000	3	1300	1400	97	0.06x10 ⁻⁴

Suggested motors



R2AA06020 SERIES



R2AA06040 SERIES



MOUNTING OPERATION MODE: ■ Tightening torque M=5 Nm ■ Locking bolt M4 ■ R.T.A. Quality Control

SG-P11-090-010-12-R2-0400-00000

PLANETARY GEARBOXES

SG 090

i=010

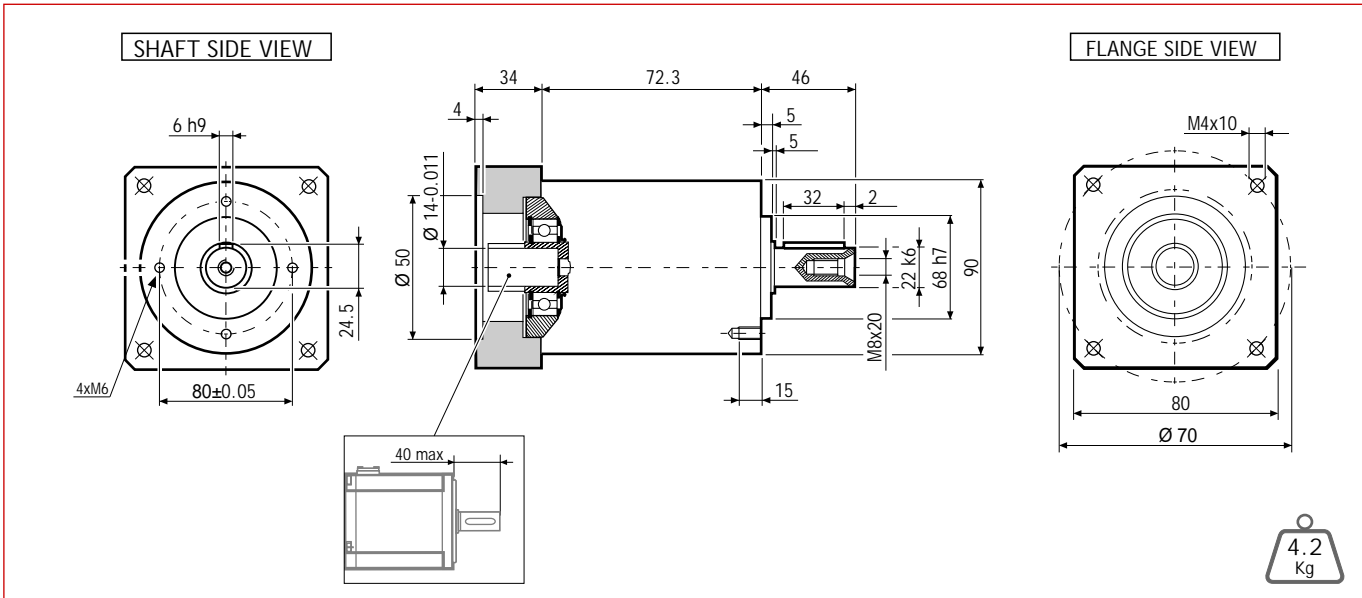
=12'

MADE IN ITALY

IP64



Dimensions (Units:mm)



MODEL	Rated output torque [Nm]	Maximum acceleration output torque [Nm]	Emergency step output torque [Nm]	Backlash [arcmin]	Nominal input speed [min ⁻¹]	Maximum momentary input speed [min ⁻¹]	Torsional stiffness [Nm/arcmin]	Maximum radial force applying on output shaft [N]	Maximum axial force applying on output shaft [N]	Gear efficiency [%]	Gear moment of inertia [Kg ^m ²]
SG-P11-090-010-12-R2-0400-00000	37	70	150	12'	4000	6000	9	2200	1900	97	0.35x10 ⁻⁴

Suggested motors

R2AA06040 SERIES

MOUNTING OPERATION MODE: ■ Tightening torque M=11 Nm ■ Locking bolt M6 ■ R.T.A. Quality Control

SG-P11-090-010-12-R2-0750-00000

PLANETARY GEARBOXES

SG 090

i=010

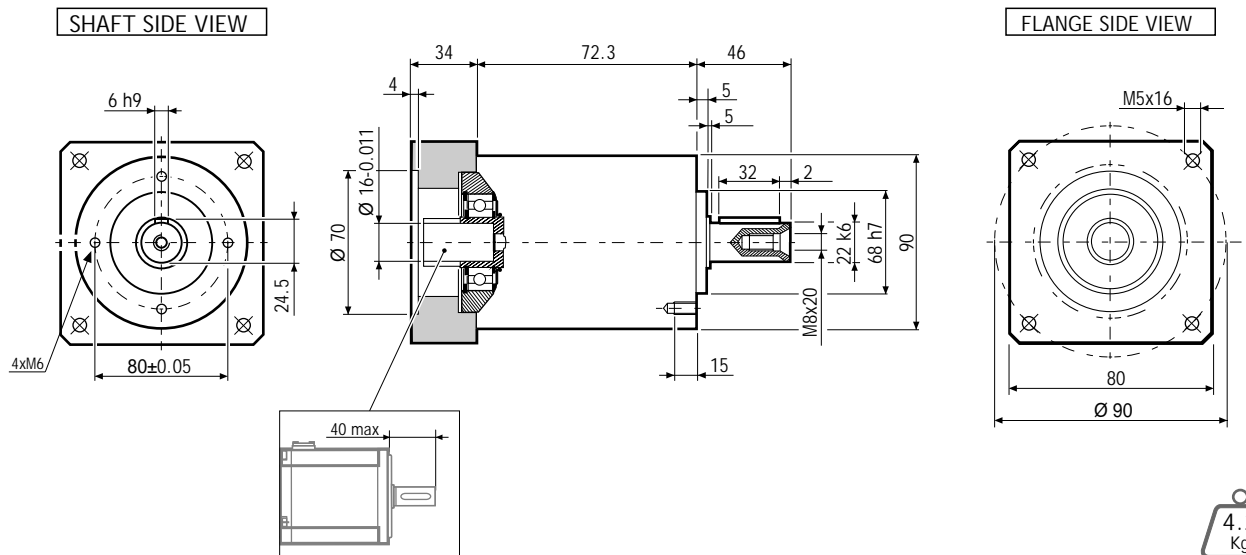
=12'

MADE IN ITALY

IP64

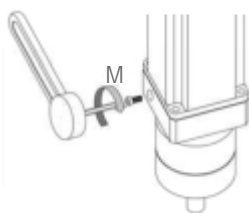


Dimensions (Units:mm)



MODEL	Rated output torque [Nm]	Maximum acceleration output torque [Nm]	Emergency step output torque [Nm]	Backlash [arcmin]	Nominal input speed [min ⁻¹]	Maximum momentary input speed [min ⁻¹]	Torsional stiffness [Nm/arcmin]	Maximum radial force applying on output shaft [N]	Maximum axial force applying on output shaft [N]	Gear efficiency [%]	Gear moment of inertia [Kg·m ²]
SG-P11-090-010-12-R2-0750-00000	37	70	150	12'	4000	6000	9	2200	1900	97	0.35x10 ⁻⁴

Suggested motors



R2AA08075 SERIES



MOUNTING OPERATION MODE: ■ Tightening torque M=11 Nm ■ Locking bolt M6 ■ R.T.A. Quality Control

SG-P11-120-010-12-R2-0750-00000

PLANETARY GEARBOXES

SG 120

i=010

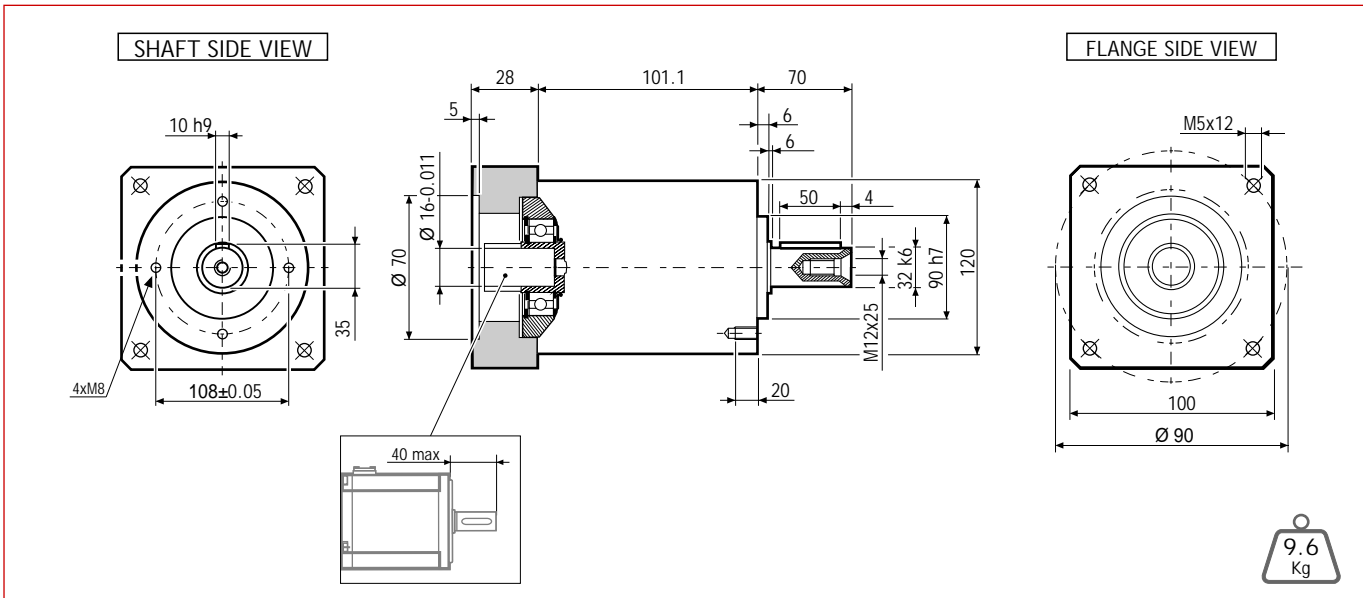
=12'

MADE IN ITALY

IP64



Dimensions (Units:mm)



MODEL	Rated output torque [Nm]	Maximum acceleration output torque [Nm]	Emergency step output torque [Nm]	Backlash [arcmin]	Nominal input speed [min ⁻¹]	Maximum momentary input speed [min ⁻¹]	Torsional stiffness [Nm/arcmin]	Maximum radial force applying on output shaft [N]	Maximum axial force applying on output shaft [N]	Gear efficiency [%]	Gear moment of inertia [Kg·m ²]
SG-P11-120-010-12-R2-0750-00000	95	160	300	12'	3500	5000	25	3500	3000	97	0.49x10 ⁻⁴

Suggested motors

R2AA08075 SERIES

MOUNTING OPERATION MODE: ■ Tightening torque M=11 Nm ■ Locking bolt M6 ■ R.T.A. Quality Control

SG-P11-120-010-12-R2-1000-00000

PLANETARY GEARBOXES

SG 120

i=010

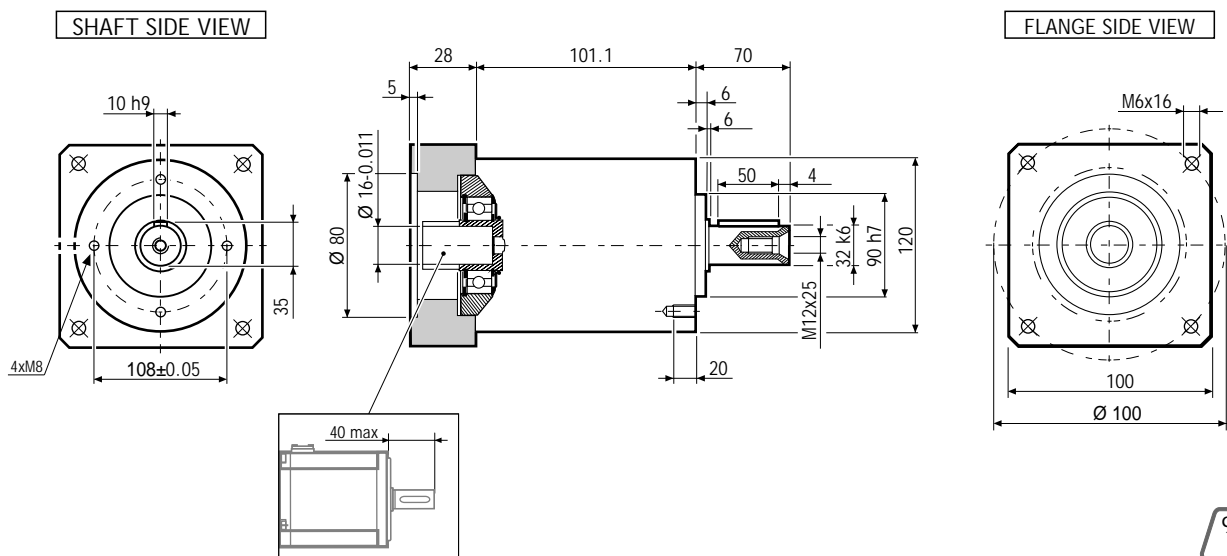
=12'

MADE IN ITALY

IP64



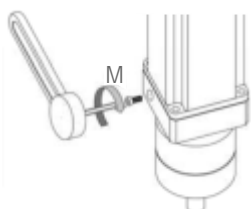
Dimensions (Units:mm)



9.6 Kg

MODEL	Rated output torque [Nm]	Maximum acceleration output torque [Nm]	Emergency step output torque [Nm]	Backlash [arcmin]	Nominal input speed [min ⁻¹]	Maximum momentary input speed [min ⁻¹]	Torsional stiffness [Nm/arcmin]	Maximum radial force applying on output shaft [N]	Maximum axial force applying on output shaft [N]	Gear efficiency [%]	Gear moment of inertia [Kg·m ²]
SG-P11-120-010-12-R2-1000-00000	95	160	300	12'	3500	5000	25	3500	3000	97	0.49x10 ⁻⁴

Suggested motors



R2AAB8100 SERIES



MOUNTING OPERATION MODE: ■ Tightening torque M=11 Nm ■ Locking bolt M6 ■ R.T.A. Quality Control

SG-P11-090-025-15-R2-0X00-00000

PLANETARY GEARBOXES

SG 090

i=025

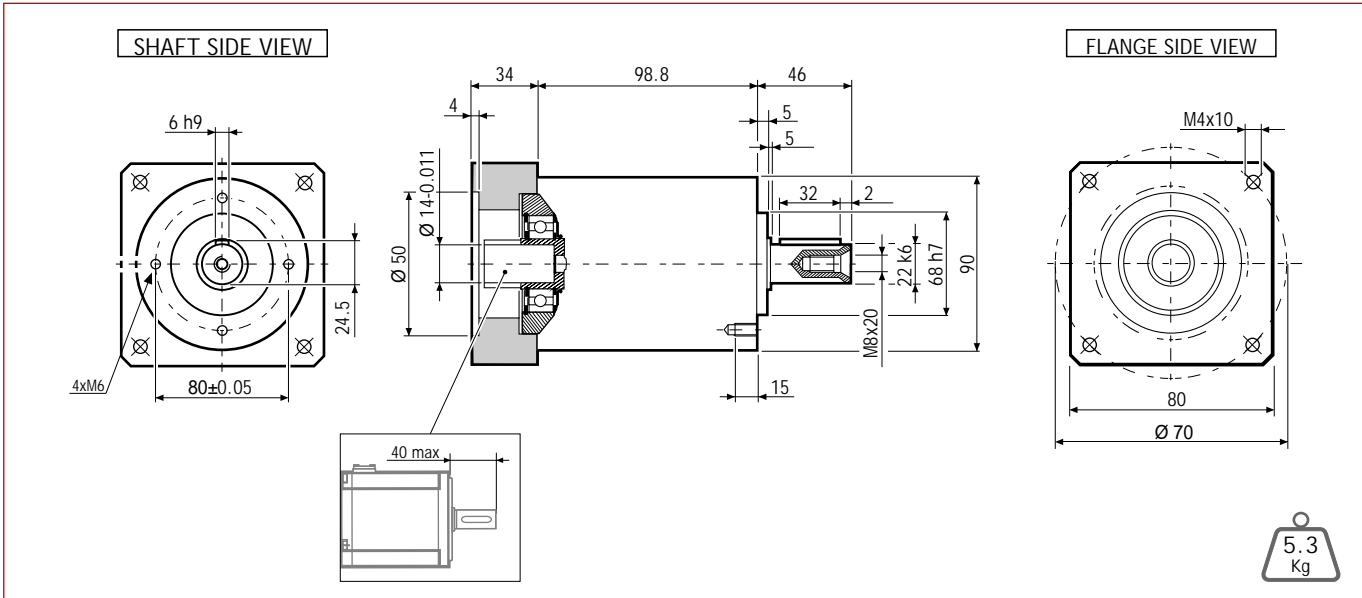
=15'

MADE IN ITALY

IP64



Dimensions (Units:mm)



MODEL	Rated output torque [Nm]	Maximum acceleration output torque [Nm]	Emergency step output torque [Nm]	Backlash [arcmin]	Nominal input speed [min ⁻¹]	Maximum momentary input speed [min ⁻¹]	Torsional stiffness [Nm/arcmin]	Maximum radial force applying on output shaft [N]	Maximum axial force applying on output shaft [N]	Gear efficiency [%]	Gear moment of inertia [Kg·m ²]
SG-P11-090-025-15-R2-0X00-00000	43	80	160	15'	3200	4500	8.5	2200	1900	94	0.40x10 ⁻⁴

Suggested motors

R2AA06020 SERIES

R2AA06040 SERIES

MOUNTING OPERATION MODE: ■ Tightening torque M=11 Nm ■ Locking bolt M6 ■ R.T.A. Quality Control

SG-P11-120-025-15-R2-0750-00000

PLANETARY GEARBOXES

SG 120

i=025

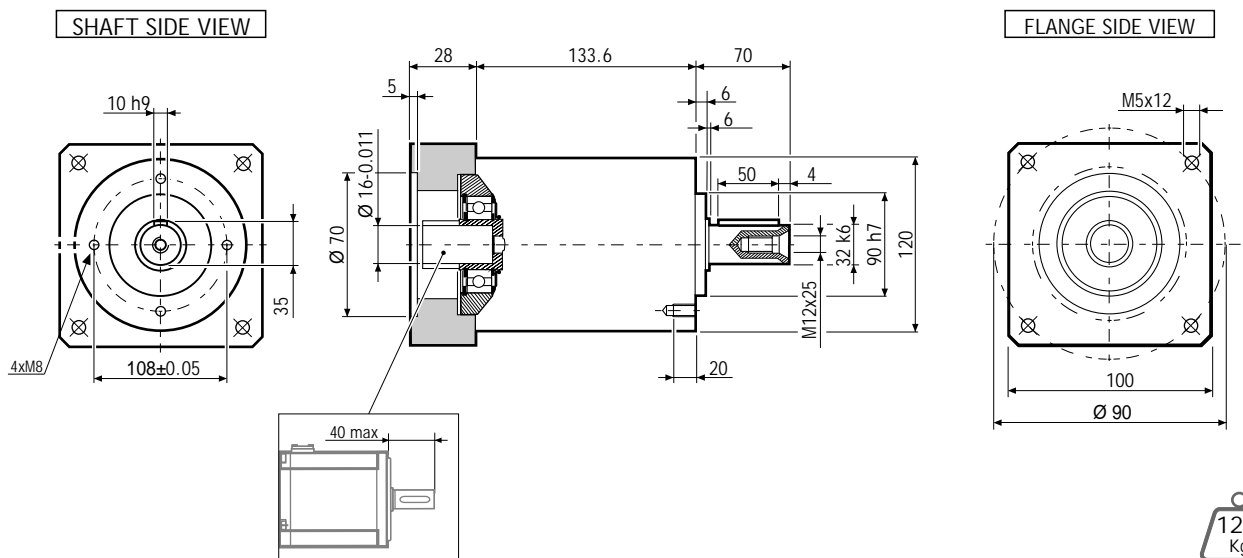
=15'

MADE IN ITALY

IP64

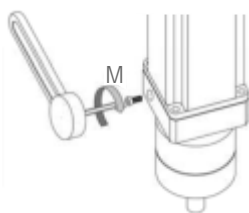


Dimensions (Units:mm)



MODEL	Rated output torque [Nm]	Maximum acceleration output torque [Nm]	Emergency step output torque [Nm]	Backlash [arcmin]	Nominal input speed [min ⁻¹]	Maximum momentary input speed [min ⁻¹]	Torsional stiffness [Nm/arcmin]	Maximum radial force applying on output shaft [N]	Maximum axial force applying on output shaft [N]	Gear efficiency [%]	Gear moment of inertia [Kg·m ²]
SG-P11-120-025-15-R2-0750-00000	110	190	360	15'	3000	4500	22.5	3500	3000	94	0.71x10 ⁻⁴

Suggested motors



R2AA08075 SERIES



MOUNTING OPERATION MODE: ■ Tightening torque M=11 Nm ■ Locking bolt M6 ■ R.T.A. Quality Control

SG-P11-120-025-15-R2-1000-00000

PLANETARY GEARBOXES

SG 120

i=025

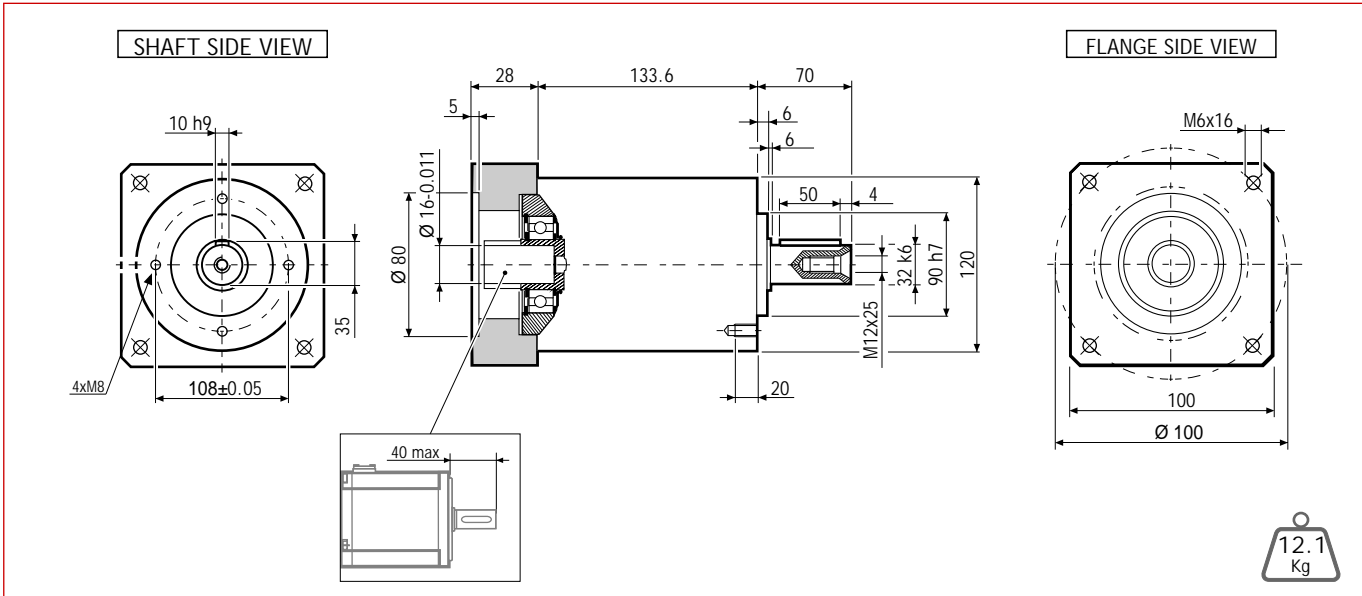
=15'

MADE IN ITALY

IP64



Dimensions (Units:mm)



MODEL	Rated output torque [Nm]	Maximum acceleration output torque [Nm]	Emergency step output torque [Nm]	Backlash [arcmin]	Nominal input speed [min ⁻¹]	Maximum momentary input speed [min ⁻¹]	Torsional stiffness [Nm/arcmin]	Maximum radial force applying on output shaft [N]	Maximum axial force applying on output shaft [N]	Gear efficiency [%]	Gear moment of inertia [Kg ^m ²]
SG-P11-120-025-15-R2-1000-00000	110	190	360	15'	3000	4500	22.5	3500	3000	94	0.71x10 ⁻⁴

Suggested motors

R2AAB8100 SERIES

MOUNTING OPERATION MODE: ■ Tightening torque M=11 Nm ■ Locking bolt M6 ■ R.T.A. Quality Control

