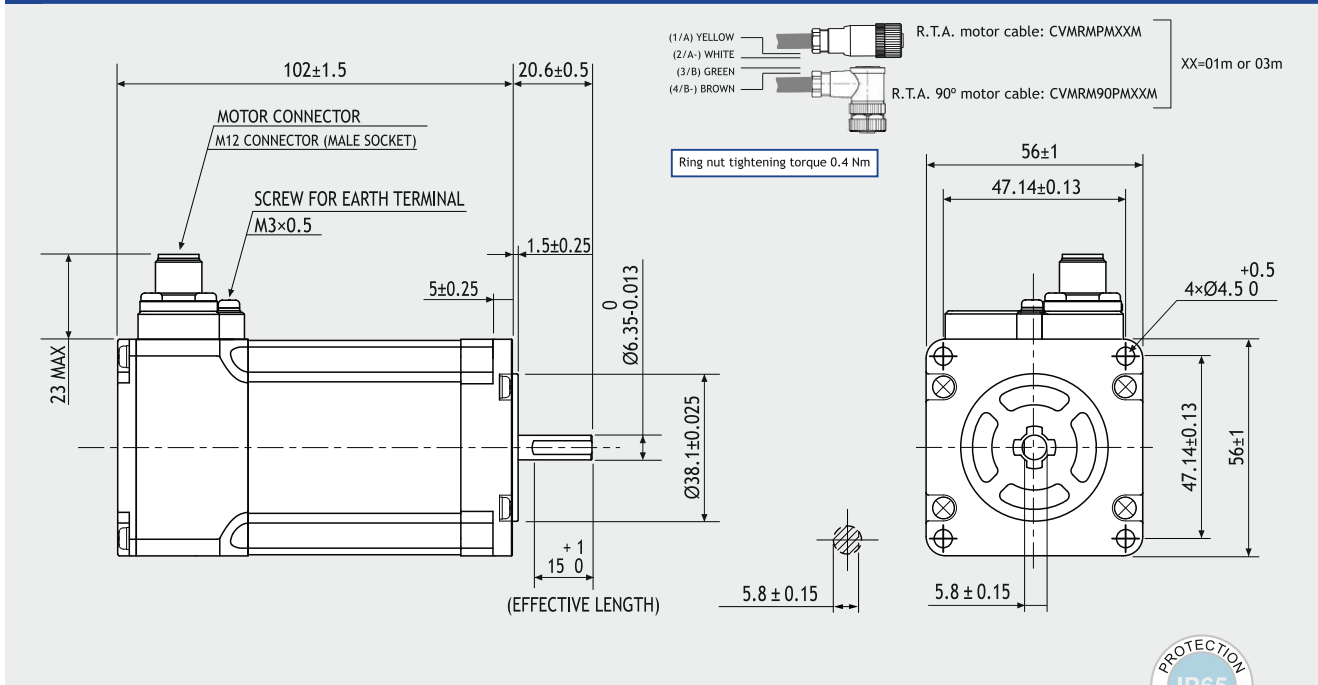


SP 2566-5200

SANYO DENKI
SANMOTION

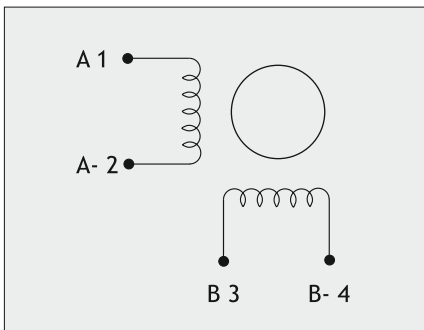
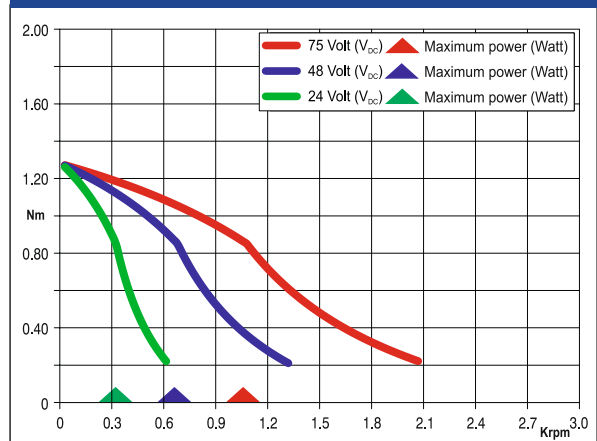
Dimensions (Unit:mm)



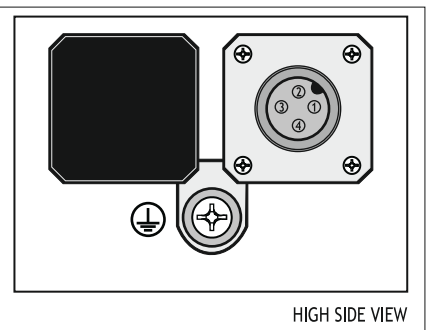
FEATURES

MODEL	SP 2566-5200
BASIC STEP ANGLE	$1.8 \pm 0.09^\circ$
BIPOLAR CURRENT (Amp)	3
RESISTANCE (Ohm)	0.94
INDUCTANCE (mH)	4.4
BIPOLAR HOLDING TORQUE (Ncm)	170
ROTOR INERTIA ($\text{Kgm}^2 \times 10^{-7}$)	360
THEORETICAL ACCELERATION ($\text{rad} \times \text{sec}^{-2}$)	47200
BACK E.M.F. (V/Krpm)	55
MASS (Kg)	1.2
INTERNATIONAL STANDARDS	UL, CSA, CE, RoHS
INSULATION VOLTAGE (V)	$250 V_{AC}$ ($350 V_{DC}$)
PROTECTION DEGREE - INSULATION CLASS	IP65 - F

TORQUE/SPEED CURVE



CALUS



Suggested R.T.A. drive series: CSD, NDC, ADW, HGD, PLUS, FLEX-DRIVE



R.T.A. s.r.l.
Via E. Mattei - Fraz- Divisa
27020 Marcignago (PV) (Italy)
T +39.0382.929.855
F +39.0382.929.150
www.rta.it

R.T.A. Deutschland GmbH
Bublitzer Strasse 34, 40599
Duesseldorf (Germany)
T +49.211.749.668.60
F +49.211.749.668.66
www.rta-deutschland.de

R.T.A. IBERICA
C/Generalitat 22, Local 1
08850 Gava - Barcelona (Spain)
T +34 936.388.805
F +34 936.334.595
www.rta-iberica.es

R.T.A. INDIA Pvt
Teerth Business Center 3rd Floor, Unit No. 7,
Block EL-15, MIDC Bhosari Pimpri-Chinchwd,
Pune 411026 (India)
Tel. +91 9422507445
www.rta-india.in