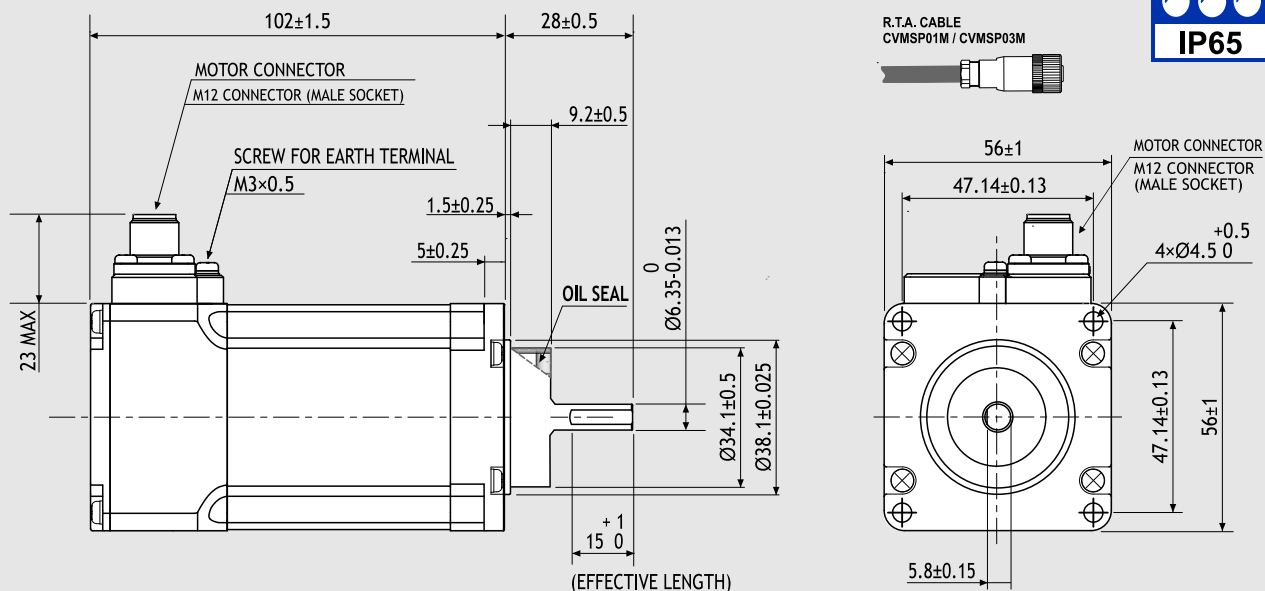


SP2566-50SX00

SANYO DENKI
SANMOTION

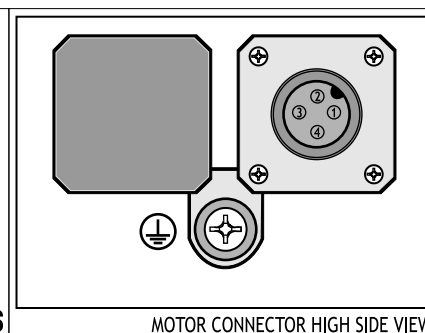
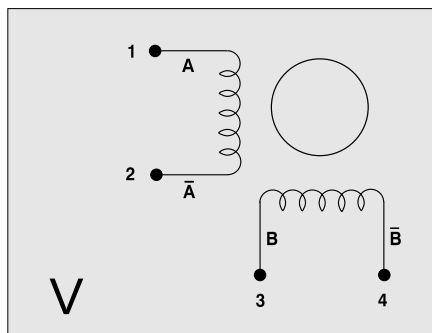
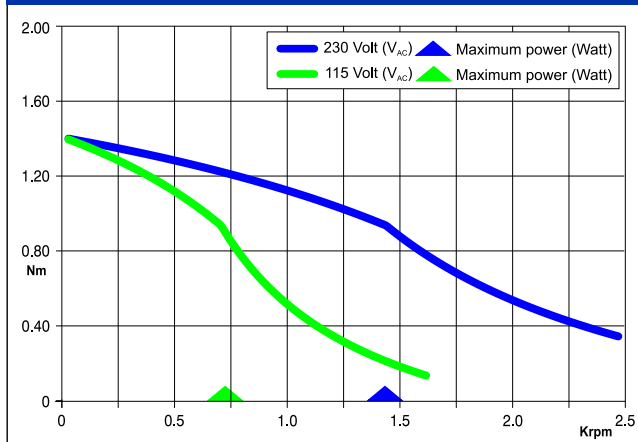
Dimensions (Unit:mm)



FEATURES

MODEL	SP2566-50SX00
BASIC STEP ANGLE	$1.8^\circ \pm 0.09^\circ$
BIPOLAR CURRENT (Amp)	1.0
RESISTANCE (Ohm)	7.7
INDUCTANCE (mH)	35.4
BIPOLAR HOLDING TORQUE (Ncm)	170
ROTOR INERTIA ($\text{Kg} \cdot \text{m}^2 \times 10^{-7}$)	360
THEORETICAL ACCELERATION ($\text{rad} \times \text{sec}^{-2}$)	47200
BACK E.M.F. (V/Krpm)	160
MASS (Kg)	1.2
INTERNATIONAL STANDARDS	UL, CSA, CE, RoHS
INSULATION VOLTAGE (V)	250 V_{AC} (350 V_{DC})
PROTECTION DEGREE - INSULATION CLASS	FULL IP65 - F
LEADS CODE	V

TORQUE/SPEED CURVE



Suggested R.T.A. driver: X-PLUS B2

