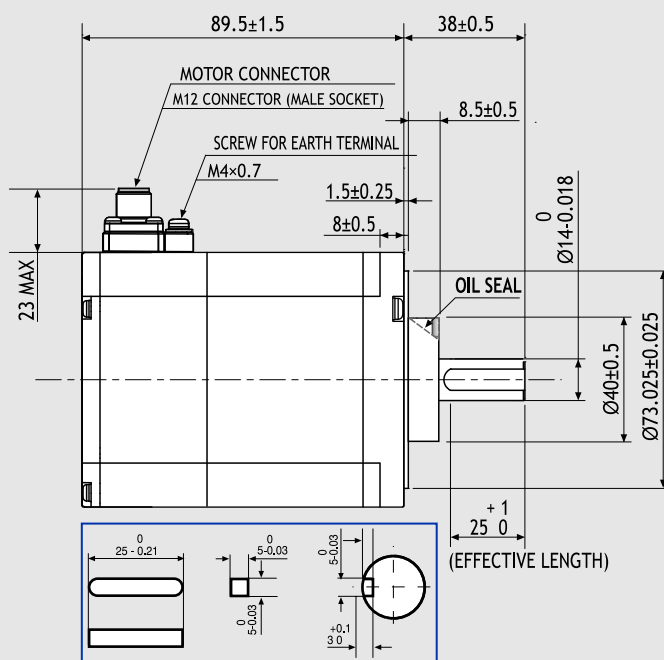


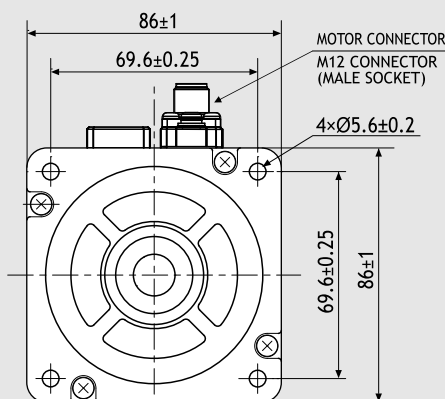
SP2861-51SX01

SANYO DENKI
SANMOTION

Dimensions (Unit:mm)



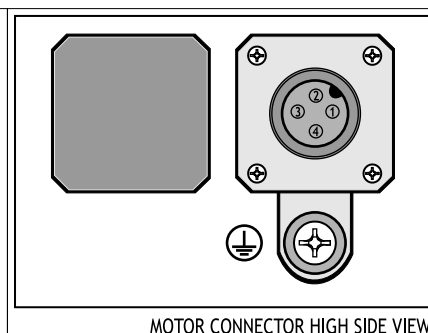
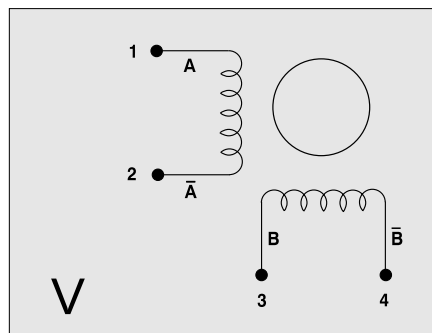
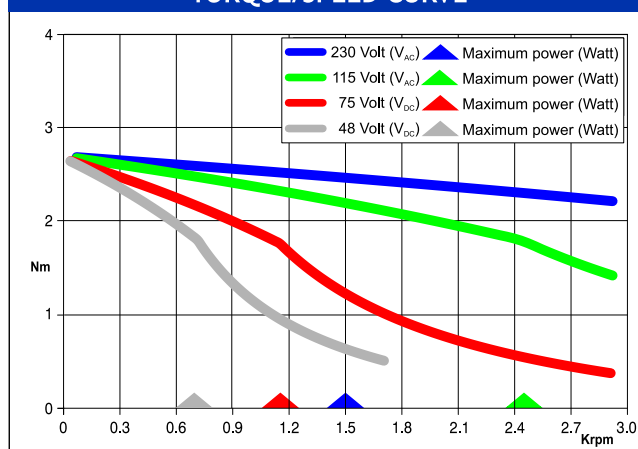
R.T.A. CABLE
CVMSP01M / CVMSP03M



FEATURES

	MODEL	SP2861-51SX01
BASIC STEP ANGLE		1.8° ± 0.09°
BIPOLAR CURRENT	(Amp)	4.0
RESISTANCE	(Ohm)	0.56
INDUCTANCE	(mH)	3.7
BIPOLAR HOLDING TORQUE	(Ncm)	360
ROTOR INERTIA	(Kg ^m ² x 10 ⁻⁷)	1480
THEORETICAL ACCELERATION	(rad x sec. ⁻²)	24300
BACK E.M.F.	(V/Krpm)	60
MASS	(Kg)	1.9
INTERNATIONAL STANDARDS		UL, CSA, CE, RoHS
INSULATION VOLTAGE	(V)	250 V _{AC} (350 V _{DC})
PROTECTION DEGREE - INSULATION CLASS		FULL IP65 - F
LEADS CODE		V

TORQUE/SPEED CURVE



Suggested driver: preferred solution X-PLUS Series, X-MIND Series (110-230 Vac)

