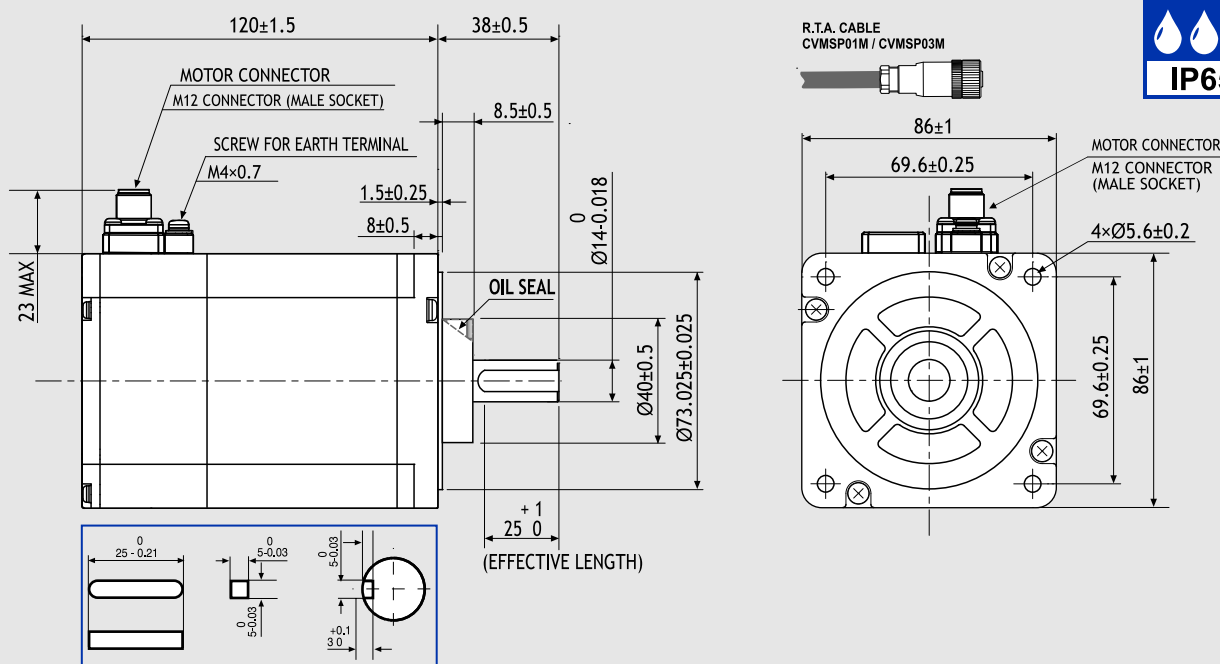


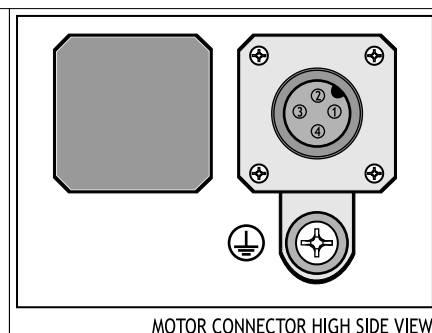
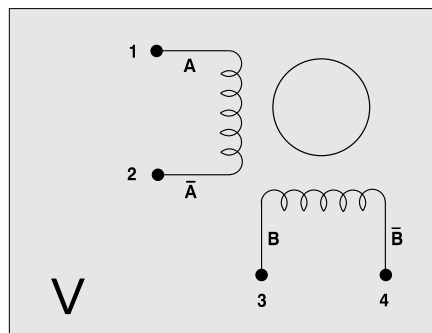
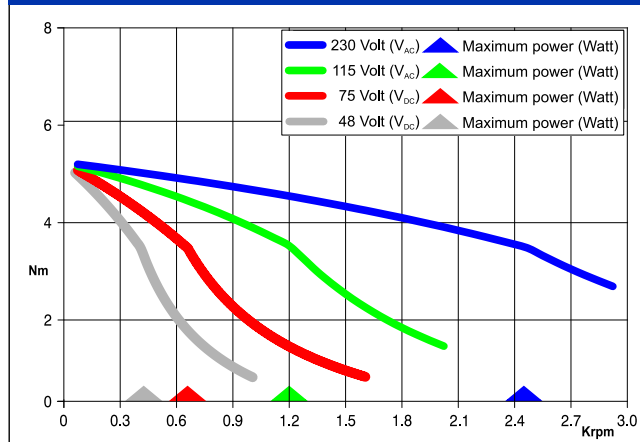
Dimensions (Unit:mm)



FEATURES

MODEL	SP2862-51SX01
BASIC STEP ANGLE	1.8° ± 0.09°
BIPOLAR CURRENT (Amp)	4.0
RESISTANCE (Ohm)	0.83
INDUCTANCE (mH)	6.4
BIPOLAR HOLDING TORQUE (Ncm)	700
ROTOR INERTIA (Kg ^m ² x 10 ⁻⁷)	3000
THEORETICAL ACCELERATION (rad x sec. ⁻²)	23300
BACK E.M.F. (V/Krpm)	175
MASS (Kg)	3.1
INTERNATIONAL STANDARDS	UL, CSA, CE, RoHS
INSULATION VOLTAGE (V)	250 V _{AC} (350 V _{DC})
PROTECTION DEGREE - INSULATION CLASS	FULL IP65 - F
LEADS CODE	V

TORQUE/SPEED CURVE



Suggested driver: preferred solution X-PLUS Series, X-MIND Series (110-230 Vac)