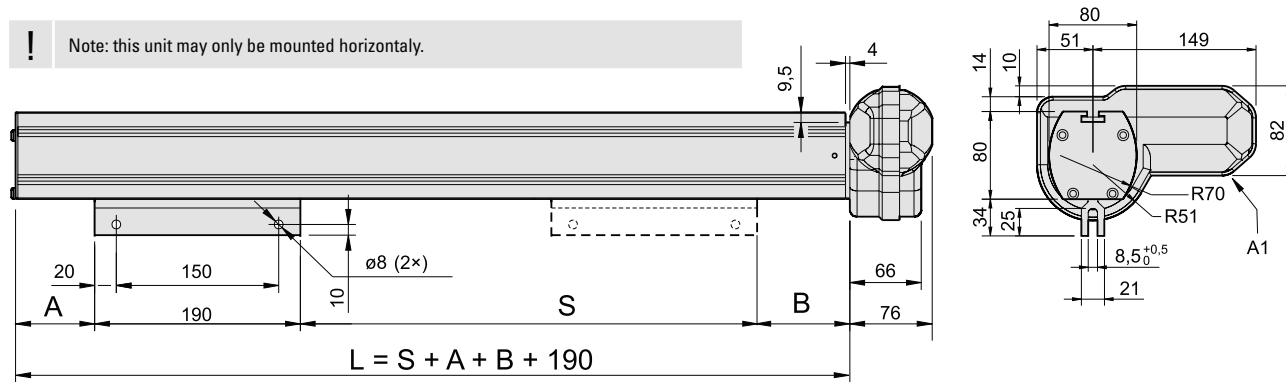


Rodless Actuator LM80-H

12 and 24 Vdc - load up to 2000 N

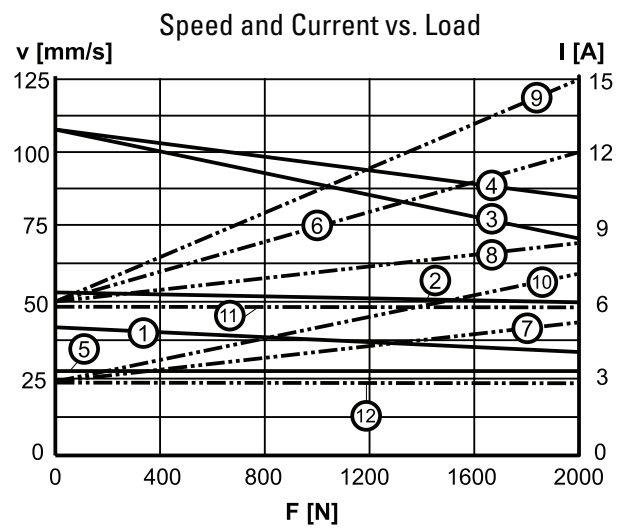
! Note: this unit may only be mounted horizontally.



S: stroke
L: length of profile
A1: motor shown in position A (standard position)

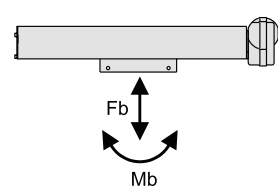
Stroke (S)	[mm]	500	600	700	800	900	1000	1100	1200	1300	1400	1500
Dimensions (A) / (B)	[mm]											
DT••-T68M•••••H		54,0 / 77,0										
DT••-B61M•••••H		102,0 / 77,0										
DT••-B62M•••••H		102,0 / 77,0										
DT••-B65M•••••H		79,0 / 77,0										
Weight	[kg]											
DT••-T68M•••••H		11,2	13,1	14,8	16,6	18,1	20,2	22,0	23,8	25,5	27,4	29,1
DT••-B61M•••••H		12,1	13,9	15,7	17,5	19,3	21,0	22,9	24,6	26,3	28,2	30,0
DT••-B62M••~••H		12,1	13,9	15,7	17,5	19,3	21,0	22,9	24,6	26,3	28,2	30,0
DT••-B65M••~••H		11,7	13,5	15,3	17,1	18,9	20,6	22,4	24,2	26,0	27,8	29,6

Performance Diagrams

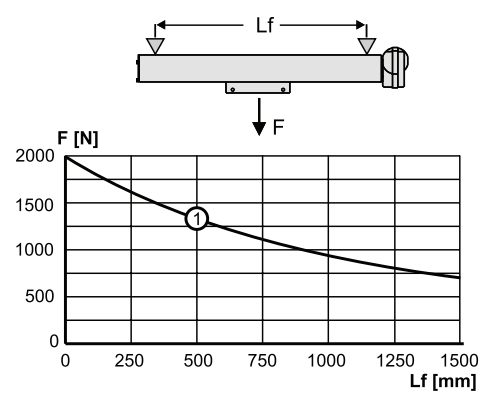


- V: speed I: current F: load
- 1: speed DT••-T68M••~••H
 - 2: speed DT••-B61M••~••H
 - 3: speed DT12-B62M••~••H
 - 4: speed DT24-B62M••~••H
 - 5: speed DT••-B65M••~••H
 - 6: current DT12-T68M••~••H
 - 7: current DT24-T68M••~••H and DT24-B61M••~••H
 - 8: current DT12-B61M••~••H
 - 9: current DT12-B62M••~••H
 - 10: current DT24-B62M••~••H
 - 11: current DT12-B65M••~••H
 - 12: current DT24-B65M••~••H

Definition of Forces



Deflection of Profile



F: load Lf: distance between mounting points
1: maximum allowed deflection

Rodless Actuator LM80-V

12 and 24 Vdc - load up to 2000 N



» Ordering Key - see page 82

» Glossary - see page 85

» Electric Wiring Diagram - see page 57

Standard Features and Benefits

- Rodless actuator for vertical operation with motor down
- For use in domestic, office or medical applications
- Rigid self supporting extruded aluminum profile
- Durable and corrosion free
- Holding brake prevents downward motion at power off
- Lightweight and quiet operation
- Safety nut on ball screw versions
- Easy and fast T-slot mounting
- Optional spline safety function
- Maintenance free

General Specifications

Parameter	LM80-V
Screw type	trapezoidal or ball
Internally restrained	yes
Manual override	no
Dynamic braking	no
Holding brake	yes
End of stroke protection	spring loaded soft stop
Mid stroke protection	no
Motor protection	no
Motor connection with motor enclosure no motor enclosure	cable no cable, clips on motor
Motor connector with motor enclosure no motor enclosure	8-pole Molex mini-fit jr clips on motor
Certificates	CE
Options	<ul style="list-style-type: none"> • no motor enclosure • manual override • alternative motor positions • spline safety function • stroke over 1500 mm* • encoder *

* Contact customer support

Performance Specifications

Parameter		LM80-V
Maximum load (Fa)	[N]	
DT••-T68M ••••• V(F)		650
DT••-B61M ••••• V(F)		1000
DT••-B62M ••••• V(F)		450
DT••-B65M ••••• V(F)		2000
Maximum load torque (Ma)	[Nm]	
DT••-T68M ••••• V(F)		250
DT••-B61M ••~•• V(F)		400
DT••-B62M ••~•• V(F)		180
DT••-B65M ••~•• V(F)		750
Speed, at no load / at maximum load	[mm/s]	
DT12 -T68M ••~•• V(F)		44 / 29
DT24 -T68M ••~•• V(F)		44 / 35
DT12 -B61M ••~•• V(F)		55 / 37
DT24 -B61M ••~•• V(F)		55 / 43
DT12 -B62M ••~•• V(F)		110 / 67
DT24 -B62M ••~•• V(F)		110 / 83
DT12 -B65M ••~•• V(F)		28 / 19
DT24 -B65M ••~•• V(F)		28 / 22
Available input voltages	[Vdc]	12, 24
Standard stroke lengths	[mm]	500, 600, 700, 800, 900, 1000, 1100, 1200, 1300, 1400, 1500
Operating temperature limits	[°C]	0 – +40
Full load duty cycle @ 20 °C	[%]	15
Maximum on time	[s]	120
Restraining torque	[Nm]	0
Lead cross section with / without motor enclosure	[mm ²]	1,5 / –
Cable length with / without motor enclosure	[mm]	2000 / –
Protection class with / without motor enclosure		IP44 / IP33

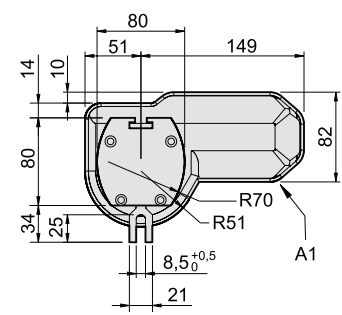
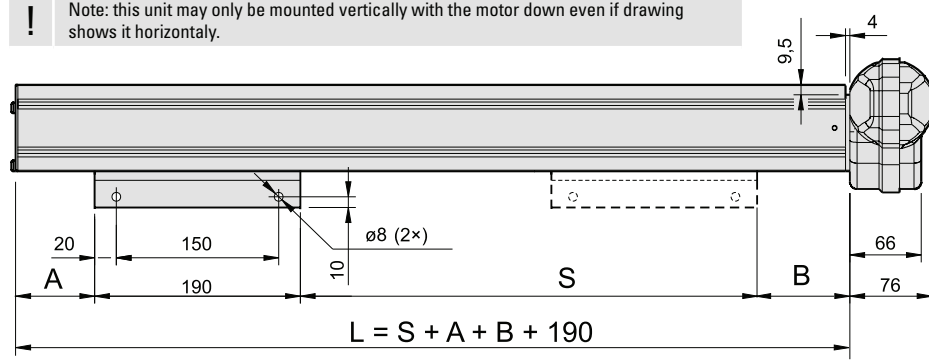
Compatible Controls

Control model	See page
DPDT switch	61
DCG-160	66
AC-247 ELS	64

Rodless Actuator LM80-V

12 and 24 Vdc - load up to 2000 N

! Note: this unit may only be mounted vertically with the motor down even if drawing shows it horizontally.



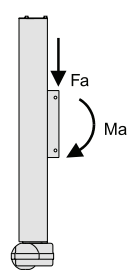
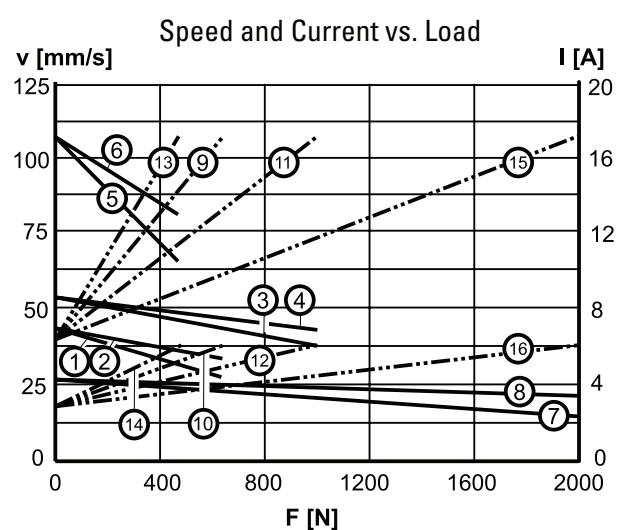
S: stroke
L: length of profile
A1: motor shown in position A (standard position)

Stroke (S)	[mm]	500	600	700	800	900	1000	1100	1200	1300	1400	1500
Dimensions (A) / (B)	[mm]											
DT••-T68M•••••V		50,0 / 71,0										
DT••-B61M•••••V		53,0 / 120,0										
DT••-B62M•••••V		53,0 / 120,0										
DT••-B65M•••••V		53,0 / 97,0										
DT••-T68M•••••F		50,0 / 90,0										
DT••-B61M•••••F		53,0 / 144,0										
DT••-B62M•••••F		53,0 / 144,0										
DT••-B65M•••••F		53,0 / 126,0										
Weight*	[kg]	11,1	12,9	14,7	16,5	18,2	20,0	21,8	23,6	25,4	27,2	28,9
DT••-T68M•••••V		11,6	13,4	15,2	17,0	18,7	20,5	22,3	24,1	25,9	27,7	29,5
DT••-B61M•••••V		11,6	13,4	15,2	17,0	18,7	20,5	22,3	24,1	25,9	27,7	29,5
DT••-B62M•••••V		12,0	13,8	15,6	17,6	19,3	21,1	22,9	24,7	26,5	28,2	30,1
DT••-B65M•••••V												

* Add 0,5 kg to the below weights to get the weights for DT••-T68M•••••F, DT••-B61M•••••F, DT••-B62M•••••F and DT••-B65M•••••F.

Performance Diagrams

Definition of Forces



- V: speed I: current F: load
- 1: speed DT12-T68M•••••V(F)
 - 2: speed DT24-T68M•••••V(F)
 - 3: speed DT12-B61M•••••V(F)
 - 4: speed DT24-B61M•••••V(F)
 - 5: speed DT12-B62M•••••V(F)
 - 6: speed DT24-B62M•••••V(F)
 - 7: speed DT12-B65M•••••V(F)
 - 8: speed DT24-B65M•••••V(F)
 - 9: current DT12-T68M•••••V(F)
 - 10: current DT24-T68M•••••V(F)
 - 11: current DT12-B61M•••••V(F)
 - 12: current DT24-B61M•••••V(F)
 - 13: current DT12-B62M•••••V(F)
 - 14: current DT24-B62M•••••V(F)
 - 15: current DT12-B65M•••••V(F)
 - 16: current DT24-B65M•••••V(F)