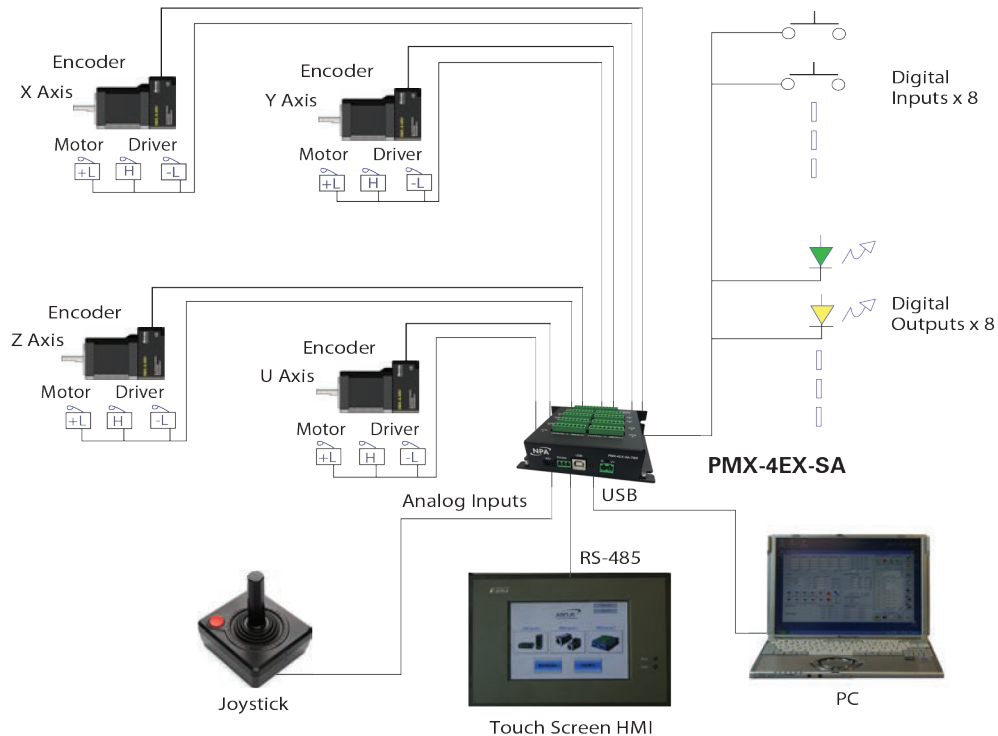




Specifications

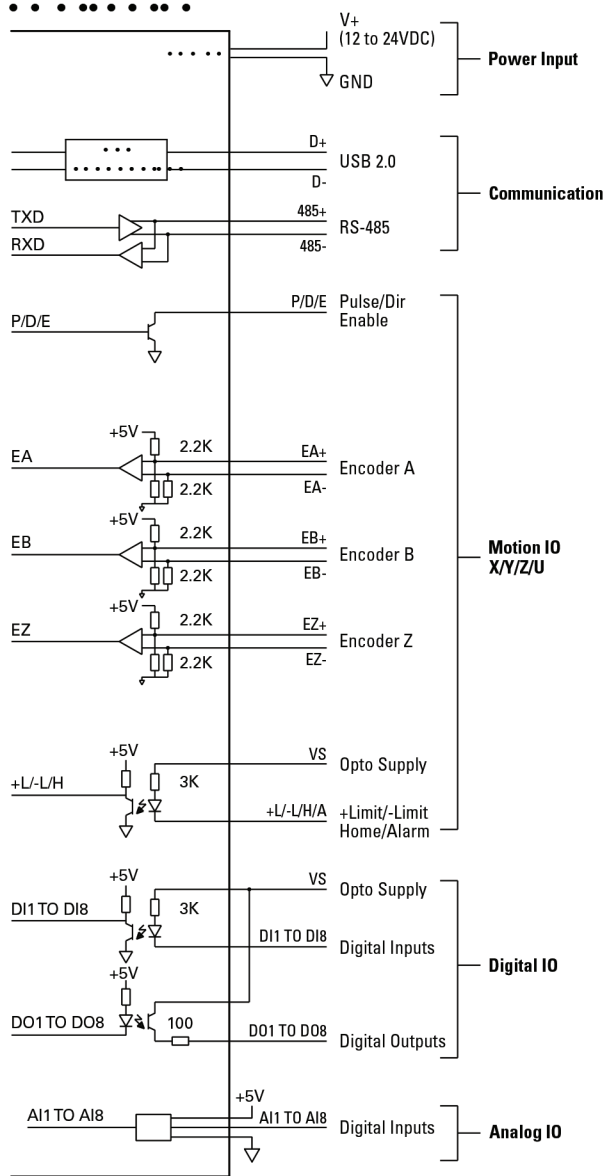
- 4 Axis Advanced Motion Controller
- USB 2.0 and RS-485 Communication
- 6M maximum pulse rate output
- Trapezoidal or s-curve acceleration
- On-the-fly speed change
- Continuous linear coordinated buffered XYZ move
- XYZU linear coordinated motion
- XY circular and arc coordinated motion
- Homing using Home and/or Index encoder channel
- Opto-isolated +Limit, -Limit, Home, and Alarm inputs per axis
- Pulse/Dir/Enable open collector outputs per axis
- Single-ended or differential quadrature encoder inputs per axis
- Opto-isolated Digital Inputs (8)
- Opto-isolated Digital Outputs (8)
- Analog inputs 10-bit resolution (8)
- Built-in joystick control for XYZU axes
- High speed position capture inputs and sync outputs
- Built-in StepNLoop closed loop control algorithm
- BASIC-like standalone programming language
- Multi-task programming support



PMX-4EX-SA

Advanced 4-Axis Motion Controller
with USB/RS-485 Communication

Electrical Interface



Dimensions

