

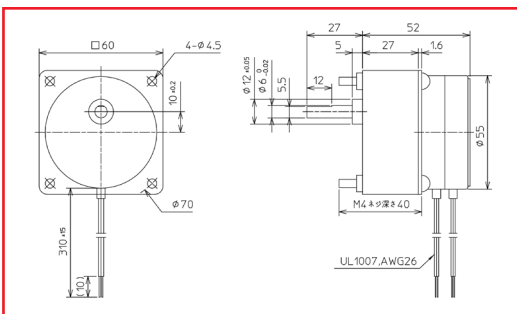
Specifications

Specifications	Units	PTM-24F		
Rated Voltage	V	24	100	200
Frequency	Hz	50/60		
Rated Current	mA	150/160	35/45	30/25
Revolutions	rpm	250/300		
Rotating Direction		Dual Direction (CW/CCW)		
Torque @ 60Hz	mN-m	35/30		
Temperature Rise	K	55		
Operating Temp. Range	°C	-10 to +50		
Dielectric Strength	V	500Vac for 1 min.	1000Vac for 1 min.	1500Vac for 1 min.
Weight	g	300		
Capacitor	µF	6.8	0.47	0.11

Magnet type: Anisotropic

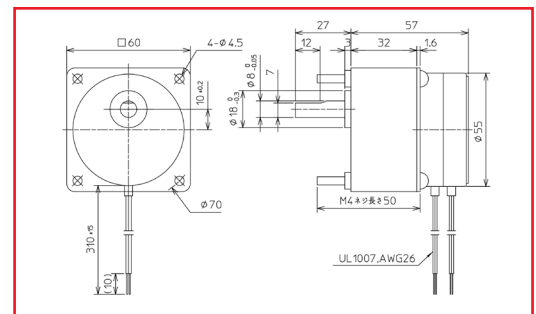
Geared Models

PTM-24FG



Gear Ratio	L
1/3 ~ 1/8	32
1/20 ~ 1/180	42

PTM-24FG(BB)



Geared Motor Torque Characteristics

Model	PTM-24FG				
	Speed	Torque (mN-m)		Gear Ratio	
		50Hz	60Hz	50Hz	60Hz
	rpm				
	60	93	95	6/25	1/5
	30	185	190	3/25	1/10
	20	280	285	2/25	1/15
	10	445	460	1/25	1/30
	5	700*	700*	1/50	1/60
	4	895	920	2/125	1/75
	3	1000*	1000*	3/250	1/100
	2	1000*	1000*	1/125	1/150
	1	1000*	1000*	1/250	1/300

Values regulated by normal gear strength. Do not apply any load exceeding the normal gear strength.

Model	PTM-24FG(BB)				
	Speed	Torque (mN-m)		Gear Ratio	
		50Hz	60Hz	50Hz	60Hz
	rpm				
	60	--	96	--	1/5
	30	--	190	--	1/10
	20	280	285	2/25	1/15
	10	445	460	1/25	1/30
	5	895	920	1/50	1/60
	4	--	970	--	1/75
	3	1150	1200	3/250	1/100
	2	1750	1800	1/125	1/150
	1	--	--	--	--