

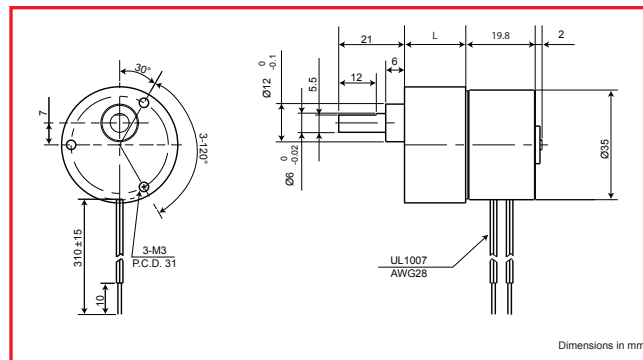
### Specifications

Specifications	Units	PTM-24M	
Rated Voltage	V	24	100
Frequency	Hz	50/60	
Rated Current	mA	62/63	16/17
Revolutions	rpm	250/300	
Rotating Direction		Dual Direction (CW/CCW)	
Torque @ 60Hz	mN-m	12/12.5	
Temperature Rise	K	55	
Operating Temp. Range	°C	-10 to +50	
Dielectric Strength	V	500Vac for 1 min.	1000Vac for 1 min.
Weight	g	80	
Capacitor	µF	3.9	0.23

Magnet type: Anisotropic

### Geared Models

#### PTM-24MG



### Geared Motor Torque Characteristics

Model	PTM-24MG				RPM	L
Speed	Torque (mN-m)		Gear Ratio			
rpm	50Hz	60Hz	50Hz	60Hz		
60	--	40	--	1/5	60	19.5mm
30	--	80	--	1/10	30	
20	--	96	--	1/15	20	
10	150	190	1/25	1/30	10	21.7mm
5	245	300*	1/50	1/60	5	
4	--	300*	--	1/75	4	
3	--	300*	--	1/100	3	23.8mm
2	400	600*	1/125	1/150	2	
1	600*	600*	1/250	1/300	1	

\*Values regulated by normal gear strength. Do not apply any load exceeding the normal gear strength.